


	<p>A1233 NO. 9-53215-611-2</p> <p>APOIO DE MOTOR DIREITO</p> <p>ISUZU ELF (TLD24) - ISUZU TLD54 BISON</p> <p>120x105x50mm 1p-d12-25mm</p>		<p>A1377 NO. 9-37516-005</p> <p>APOIO DE TRANSMISSÃO</p> <p>ISUZU 60 - 63</p> <p>120x117x40mm 1f-d76mm</p>
	<p>A1967 NO. 8-94482406-0</p> <p>APOIO MOTOR ESQUERDO</p> <p>ISUZU AMIGO 1990/1995 - ISUZU P/UP TFR (4ZE1) 1999/2003 - ISUZU P/UP TFS (4ZE1) 1999/2003 - ISUZU P/UP TFR 4WD 1988/1995 - ISUZU RODEO 4ZE1 / LG6 / 6VD (WSZYSTKIE) 2,6 3,2 L 01-01-1988/01-12-1997 - ISUZU P/UP CAMPO 2.3 L / 2,6 L / 2,8 L GASOLINA 1988/1994</p> <p>180x120x60mm 1p-d12x25mm 2f-15x12mm</p>		<p>A1968 NO. 8-94482405-0 - 8-94422867-2 - 8-97066800-0</p> <p>APOIO MOTOR DIREITO</p> <p>ISUZU AMIGO 1990/1995 - ISUZU P/UP TFR (4ZE1) 1999/2003 - ISUZU P/UP TFS (4ZE1) 1999/2003 - ISUZU P/UP TFR 4WD 1988/1995 - ISUZU RODEO 4ZE1 / LG6 / 6VD (WSZYSTKIE) 2,6 3,2 L 01-01-1988/01-12-1997 - ISUZU P/UP CAMPO 2.3 L / 2,6 L / 2,8 L GASOLINA 1988/1994</p> <p>180x120x60mm 1p-d12x25mm 2f-15x12mm</p>
	<p>A1984 NO. 8-97946549-3 - 97946549</p> <p>APOIO BATENTE DE MOLA TRÁS (GASTA 2 UNIDADES)</p> <p>ISUZU D-MAX II (TFR, TFS): 2.5 CRDI 4X4 (TFS86J) 1020KW 163CV 2499CC - ISUZU D-MAX (8DH) 2.5 DiTD 4x4 Pick-up 05-2002/»»» 101CV 2499CC - ISUZU D-MAX (8DH) 3.0 DiTD 4x4 Pick-up 2002/»»» 131CV 2999CC</p> <p>120x60x75mm 1f-d18mm</p>		<p>A2020 NO. 8-97235-925-0 - 8-97235-925-1</p> <p>APOIO BATENTE DE MOLA TRÁS (GASTA 2 UNIDADES)</p> <p>ISUZU D-MAX II (TFR, TFS): 2.5 CRDI 4x4 (TFS86J) 06.2012/»»» 120KW 163CV 2499CC - ISUZU D-MAX II Camião de plataforma/chassis (TFR, TFS): 2.5 CRDI 4WD 06.2012/»»» 120KW 163CV 2499CC - ISUZU D-MAX (8DH) 2.5 DiTD 4x4 Pick-up (APÓS 05-2002) 101CV 2499CC - ISUZU D-MAX (8DH) 3.0 DiTD 4x4 Pick-up (APÓS 05-2002) 131CV 2999CC</p> <p>151x66x89mm 2f-d11mm</p>
	<p>A2628 NO. 8972349660</p> <p>APOIO BATENTE BRAÇO DE SUSPENSÃO FRENTE INFERIOR DIREITO</p> <p>ISUZU D-MAX I (TFR, TFS) RODEO 2.5 10.2006/10.2012 56KW 76CV 2499CC 4JK1-TCX - ISUZU D-MAX I (TFR, TFS) RODEO 2.5 DiTD (TFR86_) 10.2006/06.2012 100KW 136CV 2499CC 4JK1-TC 7115AAA 7115AAD - ISUZU D-MAX I (TFR, TFS) RODEO 2.5 DiTD (TFR86_, TFR54_) 10.2002/06.2012 74W 101CV 2499CC 4JA1-TC - ISUZU D-MAX I (TFR, TFS) RODEO 2.5 DiTD 4x4 (TFS54) 05.2002/06.2012 74KW 101CV 2499CC 4JA1-TC - ISUZU D...</p> <p>135x86x56mm 2f-d11mm</p>		<p>A2629 NO. 8972349670</p> <p>APOIO BATENTE BRAÇO DE SUSPENSÃO FRENTE INFERIOR ESQUERDO</p> <p>ISUZU D-MAX I (TFR, TFS) RODEO 2.5 10.2006/10.2012 56KW 76CV 2499CC 4JK1-TCX - ISUZU D-MAX I (TFR, TFS) RODEO 2.5 DiTD (TFR86_) 10.2006/06.2012 100KW 136CV 2499CC 4JK1-TC 7115AAA 7115AAD - ISUZU D-MAX I (TFR, TFS) RODEO 2.5 DiTD (TFR86_, TFR54_) 10.2002/06.2012 74W 101CV 2499CC 4JA1-TC - ISUZU D-MAX I (TFR, TFS) RODEO 2.5 DiTD 4x4 (TFS54) 05.2002/06.2012 74KW 101CV 2499CC 4JA1-TC - ISUZU D...</p> <p>136x96x55mm 2f-d11mm</p>
	<p>A2671 NO. 8-98203633-0 - 8973872502</p> <p>APOIO MOTOR ESQUERDO</p> <p>ISUZU N (5th Generation) NQR 70 desde 09.1998 107KW 146CV 4751CC 7 4x2 Plataforma/chassis 4HE1-TC</p> <p>157x144x101mm 1p-d12x21mm 2p-1x16mm</p>		<p>A2672 NO. 8-97187416-0 - 8-97387-247-0 - 8-98203-635-0 - 8-98203634-0 - 8980612320</p> <p>APOIO MOTOR DIREITO</p> <p>ISUZU N (5th Generation) NQR 70 desde 09.1998 107KW 146CV 4751CC 7 4x2 Plataforma/chassis 4HE1-TC</p> <p>157x144x101mm 1p-d12x21mm 2p-1x16mm</p>
	<p>D0048-C NO. 8-97256547-0</p> <p>CARDAN DIRECÇÃO (COMPLETO)</p> <p>ISUZU D-MAX I (TFR, TFS) RODEO 2.5 10.2006/10.2012 56KW 76CV 2499CC 4JK1-TCX - ISUZU D-MAX I (TFR, TFS) RODEO 2.5 DiTD (TFR86_) 10.2006/06.2012 100KW 136CV 2499CC 4JK1-TC 7115AAA 7115AAD - ISUZU D-MAX I (TFR, TFS) RODEO 2.5 DiTD (TFR86_, TFR54_) 10.2002/06.2012 74KW 101CV 2499CC 4JA1-TC - ISUZU D-MAX I (TFR, TFS) RODEO 2.5 DiTD 4x4 (TFS54) 05.2002/06.2012 74KW 101CV 2499CC 4JA1-TC - ISUZU ...</p> <p>d72x11mm 6p-d8mm</p>		<p>H126 NO.</p> <p>PALA CAMIÃO PEQUENO PICOTADA ISUZU</p> <p>ISUZU N (6th Generation) NKR 85EA, NLR 85AL, NLR 85L, NNR 85L, NPR 85G, NPR 85L desde 10.2006 110KW 150CV 2999CC 3 4x2 Plataforma/chassis 4JJ1-X 4JJ1-TC - ISUZU N (6th Generation) NMR 85L, NPR 85L desde 10.2006 110KW 150CV 2999CC 5 4x2 Plataforma/chassis 4JJ1-TC 4JJ1-X - ISUZU N (6th Generation) NPR 85L, NPR 85P, NMR 85L desde 10.2006 110KW 150CV 2999CC 6 4x2 Plataforma/chassis 4JJ1-X 4JJ1-TC - IS...</p> <p>450x340mm</p>
	<p>H342 NO.</p> <p>PALA FORGÃO PICOTADA ISUZU</p> <p>ISUZU CAMPO (KB): 2.2 D (KBD27) 04.1986/12.1990 39KW 53CV 2238CC - ISUZU CAMPO (KB): 2.2 D 4WD (KBD42, KBD47) 01.1983/12.1990 39KW 53CV 2238CC - ISUZU CAMPO (KB): 2.2 D (KBD27) 01.1983/12.1991 45KW 61CV 2238CC - ISUZU CAMPO (KB): 2.2 D (KBD27) 04.1986/12.1990 39KW 53CV 2238CC - ISUZU CAMPO (KB): 2.2 D 4WD (KBD42, KBD47) 01.1983/12.1990 39KW 53CV 2238CC - ISUZU CAMPO (KB): 2.2 D (KBD27) 01.1983/12....</p> <p>310x265mm</p>		<p>H914 NO.</p> <p>PALA JEEP/PICK-UP</p> <p>ISUZU TROOPER I (UBS): 2.8 TD (UBS55) 10.1987/12.1991 71KW 97CV 2771CC - ISUZU TROOPER I (UBS): 2.8 TD (UBS55) 10.1988/12.1991 78KW 106CV 2771CC - ISUZU TROOPER I Veículo todo terreno aberto (UBS): 2.3 (UBS16) 11.1985/12.1991 66KW 90CV 2254CC - ISUZU TROOPER I Veículo todo terreno aberto (UBS): 2.6 i (UBS17) 10.1987/12.1991 85KW 116CV 2559CC - ISUZU TROOPER I Veículo todo terreno aberto (UBS): 2.2...</p> <p>499x311mm 287x311x4mm</p>
	<p>KM0408 NO. 8-94117-900-1 - 8941179000</p> <p>KIT BRINCOS DE MOLA FRENTE E TRAS PARTE DA FRENTE (GASTA 4 UNIDADES)</p> <p>ISUZU ELF - ISUZU NHB5SF - ISUZU NHB5WF - ISUZU NHB6SF - ISUZU NHB6WF - ISUZU NHN5SF - ISUZU NHN6SC - ISUZU NHN6SF - ISUZU NKB1SC - ISUZU NKB5SC - ISUZU NKB5WC - ISUZU NKB6SC - ISUZU NKB6WC - ISUZU NKC1SC - ISUZU NKC1SD - ISUZU NKC1SF - ISUZU NKC5SC - ISUZU NKC5SF - ISUZU NKC5WF - ISUZU NKC6SC - ISUZU NKC6SD - ISUZU NKC6SF - ISUZU NKC6WF - ISUZU NKN1SC - ISUZU NKN1SF - ISUZU NKN5SC - ISUZU NKN6SC...</p> <p>90x65x12mm 1p-d22-150mm</p>		<p>L3100 NO. 9-51631-026 - 9-51631-026-0 - 9004-81104</p> <p>CASQUILHO AMORTECEDOR CONICO</p> <p>ISUZU N (6th Generation) NKR 85EA, NLR 85AL, NLR 85L, NNR 85L, NPR 85G, NPR 85L desde 10.2006 110KW 150CV 2999CC 3 4x2 Plataforma/chassis 4JJ1-X 4JJ1-TC - ISUZU N (6th Generation) NMR 85L, NPR 85L desde 10.2006 110KW 150CV 2999CC 5 4x2 Plataforma/chassis 4JJ1-TC 4JJ1-X - ISUZU N (6th Generation) NPR 85L, NPR 85P, NMR 85L desde 10.2006 110KW 150CV 2999CC 6 4x2 Plataforma/chassis 4JJ1-X 4JJ1-TC - IS...</p> <p>47x27mm d41mm 1f-d24mm</p>

	P1122	NO. 5-31413-002-1 - 94024273		S1041	NO.
	CAPA DE PEDAL TRAVA/EMBRAIAGEM (GASTA 2 UNIDADES) ISUZU P/UP KBD26 1973/1980			SILENT-BLOC DE MOLAS FRENTE ISUZU	
	70x48x11mm	32x58x4mm		d30x70mm	c65mm 1f-d16mm
	S1215	NO. 1-51519-037-1 - 1-51519-041-0 - 1-51519-041-2 - 17257-56603 - 3463-5812-04 - 49305-1036 - 49305-1110...		S1399	NO. 48830M70F00 - 8-97074-826-0
	SILENT-BLOC ESTICADOR DE SUSPENSÃO ISUZU CAMIÃO FXI - ISUZU UEZN - ISUZU NUOCHEENG - ISUZU JRC - ISUZU TFC			SILENT-BLOC DE MOLAS DE TRAS PARTE DA FRENTE (GASTA 4 UNIDADES) ISUZU ELF Camião de plataforma/chassis (NKR7_, NKS7_, NHR6_, NKR6_ 3.1 TD 01.1998/12.2001 61KW 82CV 3059CC 4JG2 7115009 7115010	
	d104x143mm	c68mm 2f-d18mm		d42x81mm	c72mm 1f-d18mm

ISUZU AMIGO - CAMPO - D-MAX - RODEO





	A1237	NO. 1-08900-039-0 - 8-94202521-0 - 8-942045211 - 8-94222-972-0		A1373	NO. 8-942239-3 - 8-94459-452-2
	APOIO DE TRANSMISSÃO COM ROLAMENTO 25MM ISUZU CAMPO			APOIO BATENTE DE MOLA TRÁS (GASTA 2 UNIDADES) ISUZU P/UP CAMPO (KB): 2.2 D 4WD (KBD42, KBD47) 01.1983/12.1990 39KW 53CV 2238CC - ISUZU P/UP CAMPO (KB): 2.5 D (KB27) 01.1983/12.1990 55KW 75CV 2499CC - ISUZU P/UP CAMPO (KB): 2.5 D 4WD (KBD47) 01.1983/12.1990 55KW 75CV 2499CC	
	135x120x60mm	1f-d25mm		150x75x65mm	
	A1415	NO. 8-94434-208-0		A1623	NO. 894226-970-0
	APOIO CAIXA VELOCIDADES ISUZU D-MAX I (TFR, TFS) 2.5 DiTD 4x4 (TFS54) 05.2002/06.2012 74KW 101CV 2499CC 4JA1-TC - ISUZU D-MAX I (TFR, TFS) 2.5 DiTD 4x4 (TFS86_) 01.2007/06.2012 100KW 136CV 2499CC 4JK1-TC 7115AAB 7115AAE - ISUZU D-MAX I (TFR, TFS) 3.0 DiTD 4x4 (TFS77H) 05.2002/06.2012 96KW 131CV 2999CC 4JH1-TC			APOIO BATENTE BRAÇO DE SUSPENSÃO FRENTE INFERIOR (GASTA 2 UNIDADES) ISUZU AMIGO WFR	
	158x75x55mm	2p-d10-23mm		80x54x54mm	2p-d10-30mm
	A1667	NO. 682574 - 8-94422-867-2 - 8-94482-405-2 - 8-94482405-0 - 8-97066-800-0 - 91140202		A1668	NO. 8-97066-799-0 - 4301093 - 8-94325597-2 - 8-94422-868-2 - 8-94482-406-0 - 8-94482-406-2 - 91140203
	APOIO DE MOTOR DIREITO ISUZU AMIGO 1990/1995 -ISUZU P/UP TFR (4ZE1) 1999/2003 - ISUZU P/UP TFS (4ZE1) 1999/2003 - ISUZU P/UP TFR 4WD 1988/1995 -ISUZU RODEO 4ZE1 / LG6 / 6VD (WSZYSTKIE) 2,6 3,2 L 01-01-1988/01-12-1997 - ISUZU P/UP CAMPO 2.3 L / 2,6 L / 2,8 L GASOLINA 1988/1994			APOIO DE MOTOR ESQUERDO ISUZU AMIGO 1990/1995 -ISUZU P/UP TFR (4ZE1) 1999/2003 - ISUZU P/UP TFS (4ZE1) 1999/2003 - ISUZU P/UP TFR 4WD 1988/1995 -ISUZU RODEO 4ZE1 / LG6 / 6VD (WSZYSTKIE) 2,6 3,2 L 01-01-1988/01-12-1997 - ISUZU P/UP CAMPO 2.3 L / 2,6 L / 2,8 L GASOLINA 1988/1994	
	180x121x59mm	1p-d12-29mm		180x121x59mm	1p-d12-29mm
	A1768	NO. 8-94375-282-5		A1889	NO. 8-97942-877-0
	APOIO DE MOTOR DIREITO ISUZU RODEO 6VD1 SOHC (11-1992 A 04-1995)			APOIO DE TRANSMISSÃO COM ROLAMENTO 30MM ISUZU D-MAX II (TFR, TFS): 2,5 CRDI 4X4 (TFS86J) 1020KW 163CV 2499CC - ISUZU D-MAX (8DH) 2.5 DiTD 4x4 Pick-up 05-2002/»»» 101CV 2499CC - ISUZU D-MAX (8DH) 3.0 DiTD 4x4 Pick-up 2002/»»» 131CV 2999CC	
	140x140x50mm	1p-d12x30mm		121x135x61mm	1f-d30mm
	A1889	NO. 8-97942-877-0		A1890	NO. 8-97942-878-0
	APOIO DE TRANSMISSÃO COM ROLAMENTO 30MM ISUZU RODEO I (TFR, TFS, TRF): 2.5 DiTD 4x4 (TFS86_) 05.2002/06.2012 74KW 101CV 2499CC - ISUZU RODEO I (TFR, TFS, TRF): 3.0 DiTD 4x4 (TFS85_) 05.2002/06.2012 96KW 131CV 2999CC			APOIO DE TRANSMISSÃO COM ROLAMENTO 30MM ISUZU D-MAX II (TFR, TFS): 2.5 CRDi 4x4 (TFS86J) 06.2012/»»» 120KW 163CV 2499CC - ISUZU D-MAX II Camião de plataforma/chassis (TFR, TFS): 2.5 CRDi 4WD 06.2012/»»» 120KW 163CV 2499CC - ISUZU D-MAX (8DH) 2.5 DiTD 4x4 Pick-up (APÓS 05-2002) 101CV 2499CC - ISUZU D-MAX (8DH) 3.0 DiTD 4x4 Pick-up (APÓS 05-2002) 131CV 2999CC	
	121x135x61mm	1f-d30mm		122x140x60mm	1f-d30mm

	<p>A1890 NO. 8-97942-878-0</p> <p>APOIO DE TRANSMISSÃO COM ROLAMENTO 30MM</p> <p>ISUZU RODEO I (TFR, TFS, TRF): 2.5 DiTD 4x4 (TFS86_) 05.2002/06.2012 74KW 101CV 2499CC - ISUZU RODEO I (TFR, TFS, TRF): 3.0 DiTD 4x4 (TFS85_) 05.2002/06.2012 96KW 131CV 2999CC</p> <p>122x140x60mm 1f-d30mm</p>		<p>A1984 NO. 8-97946549-3 - 97946549</p> <p>APOIO BATENTE DE MOLA TRÁS (GASTA 2 UNIDADES)</p> <p>ISUZU D-MAX I (TFR, TFS) 2.5 DiTD 4x4 (TFS54) 05.2002/06.2012 74KW 101CV 2499CC 4JA1-TC - ISUZU D-MAX I (TFR, TFS) 2.5 DiTD 4x4 (TFS86_) 01.2007/06.2012 100KW 136CV 2499CC 4JK1-TC 7115AAB 7115AAE - ISUZU D-MAX I (TFR, TFS) 3.0 DiTD 4x4 (TFS77H) 05.2002/06.2012 96KW 131CV 2999CC 4JH1-TC</p> <p>120x60x75mm 1f-d18mm</p>
	<p>A1991 NO. 8-97911266-0</p> <p>APOIO CAIXA VELOCIDADES (GASTA 2 UNIDADES)</p> <p>ISUZU D-MAX, TFB5CF, TFB5PF, TFB5QF, TFB5SF, TFB5WF, TFS5CF, TFS5PF, TFS5WF ISUZU MU, UCS5VF PARA CODIGO DE MOTOR (4JH1) - ISUZU RODEO 4WD 1997/»»</p> <p>165x85x60mm 2p-d10x27mm 2f-d10mm</p>		<p>A1992 NO. 8-97247-681-1</p> <p>APOIO CAIXA VELOCIDADES</p> <p>ISUZU D-MAX I (TFR, TFS) 3.0 DiTD 4x4 (TFS77H) 05.2002/06.2012 96KW 131CV 2999CC 4JH1-TC</p> <p>160x75x55mm 2p-d10x21mm 2f-d10mm</p>
	<p>A1992 NO. 897247681</p> <p>APOIO CAIXA VELOCIDADES</p> <p>ISUZU RODEO I (TFR, TFS, TRF): 3.0 DiTD 4X4 (TFS85) 05.2002/06.2012 96KW 131CV 2999CC</p> <p>160x75x55mm 2p-d10x21mm 2f-d10mm</p>		<p>A1993 NO. 8-98051349-0</p> <p>APOIO CAIXA VELOCIDADES</p> <p>ISUZU P/UP D-MAX TFS 4WD 5 VELOCIDADES (MZJ) 2007/»»</p> <p>160x70x60mm 2p-d10x25mm 4f-d8mm</p>
	<p>A1998 NO. 8-98193342-0</p> <p>APOIO CAIXA VELOCIDADES</p> <p>ISUZU P/UP D-MAX 2WD (TFD) 5 VELOCIDADES (MA1) 10.2016/»»</p> <p>160x75x90mm 2p-d12x26mm 2f-d12mm</p>		<p>A2002 NO. 8-97942876-0 - 8-97946-252-0</p> <p>APOIO DE TRANSMISSÃO COM ROLAMENTO 30MM</p> <p>ISUZU D-MAX II (TFR,TFS): 2.5 CRDi 4X4(TFS86J) 06.2012/»»» 120KW 163CV 2499CC - ISUZU D-MAX II Camião de plataforma/chassis (TFR, TFS): 2.5 CRDi 4WD 06.2012/»»» 120KW 163CV 2499CC - ISUZU RODEO I (TFR, TFS, TFR) 2.5 DiTD (TFR86_,TFR54_) 10.2002/06-2012) 74KW 101CV 2499CC</p> <p>150x110x50mm 1f-d30mm 2r-d12mm</p>
	<p>A2003 NO. 8-97947656-0</p> <p>APOIO DE TRANSMISSÃO COM ROLAMENTO 30MM</p> <p>ISUZU P/UP D-MAX II 2WD 2012/2016</p> <p>220x130x60mm 1f-d30mm 2f-18x14mm</p>		<p>A2004 NO. 8-97947657-0</p> <p>APOIO DE TRANSMISSÃO COM ROLAMENTO 30MM</p> <p>ISUZU P/UP D-MAX 4WD V-CROSS 2012/»»» - ISUZU P/UP D-MAX TFS 4WD 2012/»»»</p> <p>220x130x60mm 1f-d30mm 2f-18x14mm</p>
	<p>A2097 NO. 8-98183-242-0 - 8982505920</p> <p>APOIO DE MOTOR DIREITO</p> <p>ISUZU P/UP D-MAX II (TFR, TFS): 2.5 CRDi (TFR86J) 06.2012/»»» 120KW 163CV 2499CC ISUZU P/UP D-MAX II (TFR, TFS): 2.5 CRDi 4x4 (TFS86J) 06.2012/»»» 120KW 163CV 2499CC</p> <p>195x113x80mm 2f-d14mm 2p-d9x24mm</p>		<p>A2098 NO. 8-98075-376-2 - 8980753762</p> <p>APOIO DE MOTOR ESQUERDO</p> <p>ISUZU P/UP D-MAX II (TFR, TFS): 2.5 CRDi (TFR86J) 06.2012/»»» 120KW 163CV 2499CC ISUZU P/UP D-MAX II (TFR, TFS): 2.5 CRDi 4x4 (TFS86J) 06.2012/»»» 120KW 163CV 2499CC</p> <p>178x110x83mm 2f-d14mm 2p-d9x25mm</p>
	<p>A2300 NO. 2f-d7mm 2f-d10mm 2r-d10mm 1p-d13x1</p> <p>APOIO DE MOTOR ESQUERDO</p> <p>ISUZU RODEO I (TFR, TFS, TRF): 2.5 DiTD (TFR86_) 10.2006/06.2012 100KW 136CV 2499CC - ISUZU RODEO I (TFR, TFS, TRF): 2.5 DiTD 4x4 (TFS86_) 01.2007/06.2012 100CV 136CV 2499CC - ISUZU RODEO I (TFR, TFS, TRF): 3.0 DiTD 4x4 (TFS85_) 05.2002/06.2012 96KW 131CV 2999CC - ISUZU RODEO I (TFR, TFS, TRF): 3.0 DiTD (TFR85_) 01.2007/06.2012 120KW 163CV 2999CC - ISUZU RODEO I (TFR, TFS, TRF): 3.0 DiTD 4x4 (TFS8...)</p> <p>177x107x115mm 2f-d7mm 2f-d10mm 2r-d10mm 1p-d13x18mm</p>		<p>A2300 NO. 2f-d7mm 2f-d10mm 2r-d10mm 1p-d13x1</p> <p>APOIO DE MOTOR ESQUERDO</p> <p>ISUZU P/UP D-MAX I Camião de plataforma/chassis (TFR, TFS): 2.5 DiTD 4x4 10.2006/10.2012 100KW 136CV 2499CC</p> <p>177x107x115mm 2f-d7mm 2f-d10mm 2r-d10mm 1p-d13x18mm...</p>
	<p>A2361 NO. 8-972349762 - 8-973672720</p> <p>APOIO DE MOTOR DIREITO</p> <p>ISUZU RODEO I (TFR, TFS, TRF): 2.5 DiTD (TFR86_) 10.2006/06.2012 100KW 136CV 2499CC - ISUZU RODEO I (TFR, TFS, TRF): 2.5 DiTD 4x4 (TFS86_) 01.2007/06.2012 100CV 136CV 2499CC - ISUZU RODEO I (TFR, TFS, TRF): 3.0 DiTD 4x4 (TFS85_) 05.2002/06.2012 96KW 131CV 2999CC - ISUZU RODEO I (TFR, TFS, TRF): 3.0 DiTD (TFR85_) 01.2007/06.2012 120KW 163CV 2999CC - ISUZU RODEO I (TFR, TFS, TRF): 3.0 DiTD 4x4 (TFS8...)</p> <p>150x102x123mm 2f-d11mm 2r-d10mm 1p-d13x16mm</p>		<p>A2361 NO. 8-972349762 - 8-973672720</p> <p>APOIO DE MOTOR DIREITO</p> <p>ISUZU P/UP D-MAX I Camião de plataforma/chassis (TFR, TFS): 2.5 DiTD 4x4 10.2006/10.2012 100KW 136CV 2499CC</p> <p>150x102x123mm 2f-d11mm 2r-d10mm 1p-d13x16mm</p>

	<p>A2492 NO. 8-97039-195-2 - 8-97039-195-3 - 8-97039-195-4</p> <p>APOIO DA CAIXA DE VELOCIDADES</p> <p>ISUZU D-MAX (De 01.92 Até 12.97)TFB5CF-TFB5SC-TFB5SF-TFB5WF-TFB6CF-TFB6SC-TFB6SF-TFB6WF-TFS5CF-TFS5SC-TFS5SF-TFS5WF-TFS6CF-TFS6SC-TFSW6SF</p> <p>162x139x55mm 2p-d10x24mm</p>		<p>A2647 NO. 8-97911-083-0</p> <p>APOIO BATENTE BRAÇO DE SUSPENSÃO FRENTE SUPERIOR ESQUERDO</p> <p>ISUZU RODEO</p> <p>136x83x59mm 2f-d12mm</p>
	<p>D0032-C NO. 8-94223107-0</p> <p>CARDAN DIREÇÃO D70X16MM COMPLETO</p> <p>Isuzu Rodeo 1997 LS Sport Utility 4-Door 3.2L 3165CC V6 GAS SOHC - Isuzu Rodeo 1997 S Sport Utility 4-Door 2.6L 2559CC I4 GAS SOHC - Isuzu Rodeo 1996 LS Sport Utility 4-Door 2.6L 2559CC I4 GAS SOHC - Isuzu Rodeo 1996 S Sport Utility 4-Door 3.2L 3165CC V6 GAS SOHC - Isuzu Rodeo 1995 LS Sport Utility 4-Door 2.6L 2559CC I4 GAS SOHC - Isuzu Rodeo 1995 S Sport Utility 4-Door 3.2L 3165CC V6 GAS SOHC - L...</p> <p>d70x16mm 6p-d8mm</p>		<p>D0048-C NO. 8-97256547-0</p> <p>CARDAN DIREÇÃO (COMPLETO)</p> <p>ISUZU D-MAX I Camião de plataforma/chassis (TFR, TFS) 2.5 DiTD 10.2006/06.2012 100KW 136CV 2499CC 4JK1-TC - ISUZU D-MAX I Camião de plataforma/chassis (TFR, TFS) 2.5 DiTD 4x4 10.2006/10.2012 100KW 136CV 2499CC 4JK1-TC</p> <p>d72x11mm 6p-d8mm</p>
	<p>E0150 NO. 8-97214-822-0 - 8-97214-822-1 - 8-97944-575-0 - 97214822 - 97944575</p> <p>ESTICADOR DA BARRA ESTABILIZADORA DE TRÁS</p> <p>ISUZU RODEO I (TFR, TFS): 2.5 10.2006/10.2012 56KW 76CV 2499CC - ISUZU RODEO I (TFR, TFS): 2.5 DiTD (TFR86_) (TFR54_) 10.2002/06.2012 74KW 101CV 2499CC - ISUZU RODEO I (TFR, TFS): 3.0 DiTD (TFR85_) 01.2007/06.2012 120KW 163CV 2999CC - ISUZU RODEO I (TFR, TFS): 2.5 DiTD (TFR86_) 10.2006/06.2012 100KW 136CV 2499CC</p> <p>155x38x38mm 2p-d10-27mm</p>		<p>E0150 NO. 8-97214-822-0 - 8-97214-822-1 - 8-97944-575-0 - 97214822 - 97944575</p> <p>ESTICADOR DA BARRA ESTABILIZADORA DE TRÁS</p> <p>ISUZU D-MAX I Camião de plataforma/chassis (TFR, TFS): 2.5 DiTD 10.2006/06.2012 100KW 136CV 2499CC - ISUZU D-MAX II (TFR, TFS): 1.9 Ddi (TFR87J) 03.2017/»» 120KW 163CV 1898CC - ISUZU D-MAX II (TFR, TFS): 2.5 CRDi (TFR86J) 06.2012/»» 120KW 163CV 2499CC - ISUZU D-MAX II (TFR, TFS): 2.5 CRDi 4x4 (TFS86J) 06.2012/»» 120KW 163CV 2499CC</p> <p>155x38x38mm 2p-d10-27mm</p>
	<p>E1076 NO. 8-97080-694-0 - 8-97289-169-0</p> <p>ESTICADOR ESCAPE</p> <p>ISUZU D-MAX I (TFR, TFS) 2.5 DiTD (TFR86_) 10.2006/06.2012 100KW 136CV 2499CC 4JK1-TC 7115AAA 7115AAD - ISUZU D-MAX I (TFR, TFS) 2.5 DiTD 4x4 (TFS86_) 01.2007/06.2012 100KW 136CV 2499CC 4JK1-TC 7115AAB 7115AAE - ISUZU D-MAX I (TFR, TFS) 3.0 DiTD 4x4 (TFS85_) 01.2007/06.2012 120KW 163CV 2999CC 4J1-TC 4J1E4C-L 7115AAC 7115AAF</p> <p>60x60x35mm</p>		<p>KF2327 NO. 94312678</p> <p>KIT DE FOLE TRANSMISSÃO</p> <p>ISUZU P/UP CAMPO (KB): 2.2 D 4WD (KBD42, KBD47) 01.1983/12.1990 39KW 53CV 2238CC - ISUZU P/UP CAMPO (KB): 2.5 D (KB27) 01.1983/12.1990 55KW 75CV 2499CC - ISUZU P/UP CAMPO (KB): 2.5 D 4WD (KBD47) 01.1983/12.1990 55KW 75CV 2499CC</p> <p>d86x84mm 1f-d76mm 1f-d22mm</p>
	<p>KF3800 NO.</p> <p>KIT DE FOLE</p> <p>ISUZU RODEO</p> <p>d88x80mm 1f-d75mm 1f-d22mm</p>		<p>KM0404 NO. 8-94450-310-2K - 8-98005-814-0</p> <p>KIT BRINCOS DE MOLAS TRÁS PARTE DE TRAS (GASTA 2 UNIDADES)</p> <p>ISUZU D-MAX I CAMIAO DE PLATAFORMA/CHASSIS (TFR, TFS) 2.5 DiTD 4X4 10.2006/10.2012 100KW 136CV 2499CC - ISUZU D-MAX II (TFR, TFS): 1.9 Ddi (TFR87J) 03.2017/»» 120KW 163CV 1898CC - ISUZU D-MAX II (TFR, TFS): 1.9 Ddi 4x4 (TFS87J) 03.2017/»» 120KW 163CV 1898CC</p> <p>132x90x40mm d30mm</p>
	<p>KM0404 NO. 8-94450-310-2K - 8-98005-814-0</p> <p>KIT BRINCOS DE MOLAS TRÁS PARTE DE TRAS (GASTA 2 UNIDADES)</p> <p>ISUZU RODEO I (TFR, TFS, TRF): 2.5 DiTD 4x4 (TFS86_) 05.2002/06.2012 74KW 101CV 2499CC - ISUZU RODEO I (TFR, TFS, TRF): 3.0 DiTD 4x4 (TFS85_) 01.2007/06.2012 120KW 163CV 2999CC</p> <p>132x90x40mm d30mm</p>		<p>KM0417 NO. 8-94223-167-2</p> <p>KIT BRINCOS DE MOLAS TRÁS PARTE DE TRAS (GASTA 2 UNIDADES)</p> <p>ISUZU D-MAX I (TFR, TFS) RODEO 2.5 DiTD (TFR86_) 10.2006/06.2012 100KW 136CV 2499CC 4JK1-TC 7115AAA 7115AAD - ISUZU D-MAX I (TFR, TFS) RODEO 2.5 DiTD (TFR86_) (TFR54_) 10.2002/06.2012 74KW 101CV 2499CC 4JA1-TC - ISUZU D-MAX I (TFR, TFS) RODEO 2.5 DiTD 4x4 (TFS54) 05.2002/06.2012 74KW 101CV 2499CC 4JA1-TC - ISUZU D-MAX I (TFR, TFS) RODEO 2.5 DiTD 4x4 (TFS86_) 01.2007/06.2012 100KW 136CV 2499...</p> <p>128x95x41mm 2d-18mm 2p-d13.8-22mm</p>
	<p>KM0427 NO. 8-94223-1670</p> <p>KIT BRINCOS DE MOLAS TRÁS PARTE DE TRAS (GASTA 2 UNIDADES)</p> <p>ISUZU (GM) Pick-up D-MAX 1.9TD diesel 164CV (TFS87) 2017/»» - ISUZU (GM) Pick-up D-MAX 2.5 Biturbo TD diesel (TFS86) 161CV 03.2012/12.2016 - ISUZU (GM) Pick-up D-MAX 3.0TD diesel (TFS85) 179CV 2013/»»</p> <p>148x125x43mm 2d-30mm 2p-d13.8-15mm</p>		<p>KM0428 NO. 8-94223-1670</p> <p>KIT BRINCOS DE MOLAS TRÁS PARTE DE TRAS (GASTA 2 UNIDADES)</p> <p>ISUZU D-MAX II (TFR, TFS) 2.5 CRDi (TFR86J) 06.2012/12.2018 120KW 163CV 2499CC 4JK1-E5-TC 4JK1-E5S-L 7115AAG - ISUZU D-MAX II (TFR, TFS) 2.5 CRDi 4x4 (TFS86J) 06.2012/12.2018 120KW 163CV 2499CC 4JK1-E5-TC 4JK1-E5S-L 7115AAH</p> <p>147x117x43mm 2d-19mm 2p-d13.8-22mm</p>
	<p>L1013 NO. 00432751 - 0432751 - 094234319 - 432751 - 5-51151-007-0 - 8-94234-190-0 - 8-94234-319-0 - 8-97332-64...</p> <p>CASQUILHO DE MOLAS DE TRÁS PARTE DE TRÁS (8 UNIDADES)</p> <p>ISUZU D-MAX I CAMIAO DE PLATAFORMA/CHASSIS (TFR, TFS) 2.5 DiTD 4X4 10.2006/10.2012 100KW 136CV 2499CC - ISUZU D-MAX II (TFR, TFS): 1.9 Ddi (TFR87J) 03.2017/»» 120KW 163CV 1898CC - ISUZU D-MAX II (TFR, TFS): 1.9 Ddi 4x4 (TFS87J) 03.2017/»» 120KW 163CV 1898CC</p> <p>d36x38mm d30mm 1f-d18mm</p>		<p>L1013 NO. 00432751 - 0432751 - 094234319 - 432751 - 5-51151-007-0 - 8-94234-190-0 - 8-94234-319-0 - 8-97332-64...</p> <p>CASQUILHO DE MOLAS DE TRÁS PARTE DE TRÁS (8 UNIDADES)</p> <p>ISUZU RODEO I (TFR, TFS, TRF): 2.5 DiTD 4x4 (TFS86_) 05.2002/06.2012 74KW 101CV 2499CC - ISUZU RODEO I (TFR, TFS, TRF): 3.0 DiTD 4x4 (TFS85_) 01.2007/06.2012 120KW 163CV 2999CC</p> <p>d36x38mm d30mm 1f-d18mm</p>

	<p>L1042 NO. 894223-168-0</p> <p>CASQUILHO DE MOLAS DE TRÁS PARTE DA FRENTE (4 UNIDADES)</p> <p>ISUZU D-MAX I CAMIAO DE PLATAFORMA/CHASSIS (TFR, TFS) 2.5 DiTD 4x4 10.2006/10.2012 100KW 136CV 2499CC - ISUZU D-MAX II (TFR, TFS): 1.9 Ddi (TFR87J) 03.2017/»»» 120KW 163CV 1898CC - ISUZU D-MAX II (TFR, TFS): 1.9 Ddi 4x4 (TFR87J) 03.2017/»»» 120KW 163CV 1898CC</p> <p>d45x35mm d40mm 1f-d18mm</p>		<p>L1042 NO. 894223-168-0</p> <p>CASQUILHO DE MOLAS DE TRÁS PARTE DA FRENTE (4 UNIDADES)</p> <p>ISUZU RODEO I (TFR, TFS, TRF): 2.5 DiTD 4x4 (TFS86_) 05.2002/06.2012 74KW 101CV 2499CC - ISUZU RODEO I (TFR, TFS, TRF): 3.0 DiTD 4x4 (TFS85_) 01.2007/06.2012 120KW 163CV 2999CC</p> <p>d45x35mm d40mm 1f-d18mm</p>
	<p>L3109 NO. 8-94234-190-0 - 8-94234-319-0 - 8-97332-642-0 - 8-97357-492-0</p> <p>CASQUILHO DE MOLAS DE TRÁS PARTE DE TRÁS (8 UNIDADES)</p> <p>ISUZU P/UP D-MAX I Camião de plataforma/chassis (TFR, TFS): 2.5 DiTD 4x4 10.2006/10.2012 100KW 136CV 2499CC - ISUZU P/UP D-MAX (8DH) 2.5 DiTD 4x4 Pick-up (APÓS 01.07) 136CV 2499CC - ISUZU P/UP D-MAX (8DH) 3.0 DiTD 4x4 Pick-up (APÓS 05.02) 131CV 2999CC - ISUZU P/UP D-MAX (8DH) 3.0 D 4x4 Pick-up (APÓS 01.07) 163CV 2999CC - ISUZU RODEO I (TFR, TFS, TRF): 2.5 DiTD (TFR86_, TRF54_) 10.2002/06.2012 74KW...</p> <p>d36x36mm d30mm 1f-d18mm</p>		<p>L3200 NO. 8-97946-545-0</p> <p>CASQUILHO DAS MOLAS DE LAMINAS DE TRÁS</p> <p>ISUZU D-MAX II (TFR, TFS) 2.5 CRDi (TFR86J) 06.2012/12.2018 120KW 163CV 2499CC 4JK1-E5-TC 4JK1-E5S-L 7115AAG - ISUZU D-MAX II (TFR, TFS) 2.5 CRDi 4x4 (TFS86J) 06.2012/12.2018 120KW 163CV 2499CC 4JK1-E5-TC 4JK1-E5S-L 7115AAH</p> <p>d36x51mm d29mm 1f-d18mm</p>
	<p>M6008 NO. 91137992</p> <p>JUNTA DE ESCAPE</p> <p>ISUZU CAMPO (KB): 2.2 D (KBD27) 04.1986/12.1990 39KW 53CV 2238CC - ISUZU CAMPO (KB): 2.2 D 4WD (KBD42, KBD47) 01.1983/12.1990 39KW 53CV 2238CC - ISUZU CAMPO (KB): 2.2 D (KBD27) 01.1983/12.1991 45KW 61CV 2238CC</p> <p>d65x5mm 1f-d50mm</p>		<p>P1023 NO. 5473130041 - 9-31413-002-0</p> <p>CAPA DE PEDAL TRAVAO/EMBRAIAGEM (GASTA 2 UNIDADES)</p> <p>ISUZU Rodeio 1991-2001</p> <p>90x55x13mm</p>
	<p>P1041 NO. 8-94222-524-0 - 8-94222-524-1 - 8-97318799-0</p> <p>CAPA PEDAL EMBRAIAGEM/TRAVAO (GASTA 2 UNIDADES)</p> <p>ISUZU D-MAX I (TFR, TFS) RODEO 2.5 10.2006/10.2012 56KW 76CV 2499CC 4JK1-TCX - ISUZU D-MAX I (TFR, TFS) RODEO 2.5 DiTD (TFR86_) 10.2006/06.2012 100KW 136CV 2499CC 4JK1-TC 7115AAA 7115AAD - ISUZU D-MAX I (TFR, TFS) RODEO 2.5 DiTD (TFR86_, TFR54_) 10.2002/06.2012 74KW 101CV 2499CC 4JA1-TC - ISUZU D-MAX I (TFR, TFS) RODEO 2.5 DiTD 4x4 (TFS54) 05.2002/06.2012 74KW 101CV 2499CC 4JA1-TC - ISUZU ...</p> <p>62x53x11mm</p>		<p>R8154 NO. 8979415052 - 8980039960</p> <p>TUBO SUPERIOR DO RADIADOR</p> <p>ISUZU D-MAX 4X2 2004/»»» ISUZU D-MAX (8DH) 2007-2012 TC DIESEL - ISUZU D-MAX (4JA1) - ISUZU D-MAX (8DH) 2007/2012 - ISUZU D-MAX (8DH) 2007/2012 Pick-Up 2.5 (4JA1-TC) (77 hp) - ISUZU D-MAX (8DH) 2007/2012 Pick-Up 2.5 DiTD (TFR86_) (4JA1-TC) (101 hp) - ISUZU D-MAX (8DH) 2007/2012 Pick-up 2.5 DiTD (TFR86_) (4JK1-TC) (136 hp) - ISUZU D-MAX (8DH) 2007/2012 Pick-up 2.5 DiTD (TFR86_) (4JK1-TC) (116 hp) ...</p> <p>B330-36/36mm 70x77x67x130mm</p>
	<p>S1028 NO. 8-94171-274-1 - 8-97332-642-0</p> <p>SILENT-BLOC DE MOLAS DE TRAS PARTE DA FRENTE (GASTA 2 UNIDADES)</p> <p>ISUZU RODEO I (TFR, TFS): 2.5 DiTD (TFR86_, TFR54_) 10.2002/06.2012 74KW 101CV 2499CC - ISUZU RODEO I (TFR, TFS): 2.5 DiTD 4x4 (TFS86_) 05.2002/06.2012 74KW 101CV 2499CC - ISUZU RODEO I (TFR, TFS): 2.5 DiTD (TFR86_) 10.2006/06.2012 100KW 136CV 2499CC - ISUZU RODEO I (TFR, TFS): 2.5 DiTD 4x4 (TFS86_) 01.2007/06.2012 100KW 136CV 2499CC - ISUZU RODEO I (TFR, TFS): 3.0 DiTD 4x4 (TFS77H) 05.2002/06.2012...</p> <p>d40x70mm c60mm 1f-d14mm</p>		<p>S1028-A NO. 8-94171-274-1 - 8-97332-642-0</p> <p>SILENT-BLOC DE MOLAS DE TRAS PARTE DA FRENTE (GASTA 2 UNIDADES)</p> <p>ISUZU RODEO I (TFR, TFS): 2.5 DiTD (TFR86_, TFR54_) 10.2002/06.2012 74KW 101CV 2499CC - ISUZU RODEO I (TFR, TFS): 2.5 DiTD 4x4 (TFS86_) 05.2002/06.2012 74KW 101CV 2499CC - ISUZU RODEO I (TFR, TFS): 2.5 DiTD (TFR86_) 10.2006/06.2012 100KW 136CV 2499CC - ISUZU RODEO I (TFR, TFS): 2.5 DiTD 4x4 (TFS86_) 01.2007/06.2012 100KW 136CV 2499CC - ISUZU RODEO I (TFR, TFS): 3.0 DiTD 4x4 (TFS77H) 05.2002/06.2012...</p> <p>d40x70mm c60mm 1f-d14mm</p>
	<p>S1028-B NO. 8-94171-274-1 - 8-97332-642-0</p> <p>SILENT-BLOC DE MOLAS DE TRAS PARTE DA FRENTE (GASTA 2 UNIDADES)</p> <p>ISUZU RODEO I (TFR, TFS): 2.5 DiTD (TFR86_, TFR54_) 10.2002/06.2012 74KW 101CV 2499CC - ISUZU RODEO I (TFR, TFS): 2.5 DiTD 4x4 (TFS86_) 05.2002/06.2012 74KW 101CV 2499CC - ISUZU RODEO I (TFR, TFS): 2.5 DiTD (TFR86_) 10.2006/06.2012 100KW 136CV 2499CC - ISUZU RODEO I (TFR, TFS): 2.5 DiTD 4x4 (TFS86_) 01.2007/06.2012 100KW 136CV 2499CC - ISUZU RODEO I (TFR, TFS): 3.0 DiTD 4x4 (TFS77H) 05.2002/06.2012...</p> <p>d40x70mm c60mm 1f-d14mm</p>		<p>S1244 NO. 0310400 - 29041-40K00 - 8-94408-840-0 - 8-94408-840-1 - 8-94408-840-2 - 8-94408-840-3 - 8-94408-840-4...</p> <p>SILENT-BLOC DO BRAÇO DA SUSPENSÃO SUPERIOR (GASTA 4 UNIDADES)</p> <p>ISUZU RODEO I (TFR, TFS, TRF): 2.5 DiTD (TFR86_, TRF54_) 10.2002/06.2012 74KW 101CV 2499CC - ISUZU RODEO I (TFR, TFS, TRF): 2.5 DiTD 4x4 (TFS86_) 05.2002/06.2012 74KW 101CV 2499CC - ISUZU RODEO I (TFR, TFS, TRF): 2.5 DiTD (TFR86_) 10.2006/06.2012 100KW 136CV 2499CC - ISUZU RODEO I (TFR, TFS, TRF): 2.5 DiTD 4x4 (TFS86_) 01.2007/06.2012 100KW 136CV 2499CC - ISUZU RODEO I (TFR, TFS, TRF): 3.0 DiTD 4x4 (TFS85_) 01.2007/06.2012 120KW 163CV 2999CC</p> <p>d50x45mm c33mm d38mm 1f-d18mm</p>
	<p>S1244 NO. 0310400 - 29041-40K00 - 8-94408-840-0 - 8-94408-840-1 - 8-94408-840-2 - 8-94408-840-3 - 8-94408-840-4...</p> <p>SILENT-BLOC DO BRAÇO DA SUSPENSÃO SUPERIOR (GASTA 4 UNIDADES)</p> <p>ISUZU D-MAX I Camião de plataforma/chassis (TFR, TFS): 2.5 DiTD 10.2006/06.2012 100KW 136CV 2499CC - ISUZU D-MAX I Camião de plataforma/chassis (TFR, TFS): 2.5 DiTD 4x4 10.2006/10.2012 100KW 136CV 2499CC</p> <p>d50x45mm c33mm d38mm 1f-d18mm</p>		<p>S1316 NO. 0310402 - 0352456 - 29040-50K00 - 29043-70K00 - 45503-87706 - 8-94408-842-0 - 8-97018-165-1 - 8-9701...</p> <p>SILENT-BLOC DO BRAÇO DA SUSPENSÃO INFERIOR (GASTA 2 UNIDADES)</p> <p>ISUZU RODEO I (TFR, TFS, TRF): 2.5 DiTD (TFR86_) 10.2006/06.2012 100KW 136CV 2499CC - ISUZU RODEO I (TFR, TFS, TRF): 2.5 DiTD 4x4 (TFS86_) 01.2007/06.2012 100KW 136CV 2499CC - ISUZU RODEO I (TFR, TFS, TRF): 3.0 DiTD 4x4 (TFS85_) 01.2007/06.2012 120KW 163CV 2999CC</p> <p>d44x85mm c76mm 1f-d18mm</p>
	<p>S1316 NO. 0310402 - 0352456 - 29040-50K00 - 29043-70K00 - 45503-87706 - 8-94408-842-0 - 8-97018-165-1 - 8-9701...</p> <p>SILENT-BLOC DO BRAÇO DA SUSPENSÃO INFERIOR (GASTA 2 UNIDADES)</p> <p>ISUZU D-MAX I Camião de plataforma/chassis (TFR, TFS): 2.5 DiTD 4x4 10.2006/10.2012 100KW 136CV 2499CC</p> <p>d44x85mm c76mm 1f-d18mm</p>		<p>S1319 NO. 54040-HA000 - 55020-EB300 - 55045-3S560 - 55045-EB71A - 8-94171-274-1 - 90080-38152 - 90389-14004 -</p> <p>SILENT-BLOC DE MOLAS DE TRAS PARTE DA FRENTE (GASTA 2 UNIDADES)</p> <p>ISUZU RODEO I (TFR, TFS, TRF): 2.5 DiTD (TFR86_, TRF54_) 10.2002/06.2012 74KW 101CV 2499CC - ISUZU RODEO I (TFR, TFS, TRF): 2.5 DiTD (TFR86_, TRF54_) 10.2002/06.2012 74KW 101CV 2499CC - ISUZU RODEO I (TFR, TFS, TRF): 2.5 DiTD 4x4 (TFS86_) 05.2002/06.2012 74KW 101CV 2499CC - ISUZU RODEO I (TFR, TFS, TRF): 2.5 DiTD 4x4 (TFS86_) 05.2002/06.2012 74KW 101CV 2499CC - ISUZU RODEO I (TFR, TFS, TRF): 2.5 DiTD...</p> <p>d40x68mm c60mm 1f-d14mm</p>

	S1483 NO. 0302944 - 2904340-K00 - 302293 - 302944 - 8-97018-165-0 - 8-97364-176-0 - 8-97366-491-0 - 8-98005-83...		S1483 NO. 0302944 - 2904340-K00 - 302293 - 302944 - 8-97018-165-0 - 8-97364-176-0 - 8-97366-491-0 - 8-98005-83...
SILENT-BLOC DO BRAÇO DA SUSPENSÃO INFERIOR (GASTA 2 UNIDADES) ISUZU RODEO I (TFR, TFS, TRF): 2.5 DiTD (TFR86_ , TRF54_) 10.2002/06.2012 74KW 101CV 2499CC - ISUZU RODEO I (TFR, TFS, TRF): 2.5 DiTD (TFR86_ , TRF54_) 10.2002/06.2012 74KW 101CV 2499CC - ISUZU RODEO I (TFR, TFS, TRF): 2.5 DiTD 4x4 (TFS86_) 05.2002/06.2012 74KW 101CV 2499CC - ISUZU RODEO I (TFR, TFS, TRF): 2.5 DiTD 4x4 (TFS86_) 05.2002/06.2012 74KW 101CV 2499CC - ISUZU RODEO I (TFR, TFS, TRF): 2.5 DiTD 4x4 (TFS86_) 05.2002/06.2012 74KW 101CV 2499CC - ISUZU RODEO I (TFR, TFS, TRF): 2.5 D... d41.5x56.5mm	c40.5mm d35.5mm 1f-d16.3mm	SILENT-BLOC DO BRAÇO DA SUSPENSÃO INFERIOR (GASTA 2 UNIDADES) ISUZU D-MAX I Camião de plataforma/chassis (TFR, TFS): 2.5 DiTD 4x4 10.2006/10.2012 100KW 136CV 2499CC d41.5x56.5mm	c40.5mm d35.5mm 1f-d16.3mm
	S1484 NO. 0310400 - 2904140K00 - 8-94408-840-0 - 8-94408-840-2 - 8-94408-840-3 - 8-97104-178-0 - 8-97220-077-...		S1484 NO. 0310400 - 2904140K00 - 8-94408-840-0 - 8-94408-840-2 - 8-94408-840-3 - 8-97104-178-0 - 8-97220-077-...
SILENT-BLOC DO BRAÇO DA SUSPENSÃO SUPERIOR (GASTA 4 UNIDADES) ISUZU RODEO I (TFR, TFS, TRF): 2.5 DiTD (TFR86_ , TRF54_) 10.2002/06.2012 74KW 101CV 2499CC - ISUZU RODEO I (TFR, TFS, TRF): 2.5 DiTD 4x4 (TFS86_) 05.2002/06.2012 74KW 101CV 2499CC - ISUZU RODEO I (TFR, TFS, TRF): 2.5 DiTD (TFR86_) 10.2006/06.2012 100KW 136CV 2499CC - ISUZU RODEO I (TFR, TFS, TRF): 2.5 DiTD 4x4 (TFS86_) 01.2007/06.2012 100KW 136CV 2499CC - ISUZU RODEO I (TFR, TFS, TRF): 3.0 DiTD 4x4 (TFS86_) 01.2007/06.2012 100KW 136CV 2499CC - ISUZU RODEO I (TFR, TFS, TRF): 3.0 DiTD 4x4... d49.5x45mm	c35mm d38mm 1f-d18.4mm	SILENT-BLOC DO BRAÇO DA SUSPENSÃO SUPERIOR (GASTA 4 UNIDADES) ISUZU D-MAX I Camião de plataforma/chassis (TFR, TFS): 2.5 DiTD 10.2006/06.2012 100KW 136CV 2499CC - ISUZU D-MAX I Camião de plataforma/chassis (TFR, TFS): 2.5 DiTD 4x4 10.2006/10.2012 100KW 136CV 2499CC d49.5x45mm	c35mm d38mm 1f-d18.4mm
	S1541 NO. 8-97220-065-0 - 8-97364-174-0		S1542 NO. 8-97220-043-0 - 8-97364-173-0 - 8-97947-419-0 - 97364173
SILENT-BLOC DO BRAÇO DA SUSPENSÃO INFERIOR (GASTA 2 UNIDADES) ISUZU RODEO I (TFR, TFS, TRF): 3.0 DiTD (TFR85_) 01.2007/06.2012 120KW 163CV 2999CC - ISUZU RODEO I (TFR, TFS, TRF): 3.0 DiTD 4x4 (TFS85_) 01.2007/06.2012 120KW 163CV 2999CC - ISUZU P/UP D-MAX II (TFR, TFS): 1.9 Ddi (TFR87J) 03.2017/»»» 120KW 163CV 1898CC - ISUZU D-MAX II (TFR, TFS): 1.9 Ddi 4x4 (TFS87J) 03.2017/»»» 120KW 163CV 1898CC - ISUZU D-MAX II (TFR, TFS): 2.5 DiTD (TFR86J) 06.2012/»»» 120... d50x57mm	c40mm d42.6mm 1f-d16mm	SILENT-BLOC DO BRAÇO DA SUSPENSÃO SUPERIOR (GASTA 4 UNIDADES) ISUZU P/UP D-MAX II (TFR, TFS): 2.5 CRDi (TFR86J) 06.2012/»»» 120KW 163CV 2499CC - ISUZU P/UP D-MAX II (TFR, TFS): 2.5 CRDi 4x4 (TFS86J) 06.2012/»»» 120KW 163CV 2499CC - ISUZU P/UP D-MAX II Camião de plataforma/chassis (TFR, TFS): 2.5 CRDi 06.2012/»»» 120KW 163CV 2499CC - ISUZU D-MAX II Camião de plataforma/chassis (TFR, TFS): 2.5 CRDi 4WD 06.2012/»»» 120KW 163CV 2499CC d54x45mm	c32mm d43.5mm 1f-d14,2mm
	S1544 NO. 0302293 - 0302944 - 2904330-K00SH - 2904340-K00 - 302293 - 8-97018-165-0 - 8-97138-389-1 - 8-97220-1...		S1697 NO. 2904140K00 - 8-94408-840-0 - 8-94408-840-2 - 8-94408-840-3 - 8-97104-178-0 - 8-97220-077-0 - 897366...
SILENT-BLOC DO BRAÇO DA SUSPENSÃO INFERIOR (GASTA 2 UNIDADES) ISUZU RODEO I (TFR, TFS, TRF): 2.5 DiTD (TFR86_) 10.2006/06.2012 100KW 136CV 2499CC - ISUZU RODEO I (TFR, TFS, TRF): 2.5 DiTD 4x4 (TFS86_) 01.2007/06.2012 100KW 136CV 2499CC - ISUZU RODEO I (TFR, TFS, TRF): 3.0 DiTD 4x4 (TFS85_) 01.2007/06.2012 120KW 163CV 2999CC - ISUZU D-MAX I Camião de plataforma/chassis (TFR, TFS): 2.5 DiTD 4x4 10.2006/10.2012 100KW 136CV 2499CC d42x57mm	c40mm d36mm 1f-d16mm	SILENT-BLOC DO BRAÇO DA SUSPENSÃO SUPERIOR (GASTA 4 UNIDADES) ISUZU RODEO I (TFR, TFS, TRF): 2.5 DiTD (TFR86_ , TRF54_) 10.2002/06.2012 74KW 101CV 2499CC - ISUZU RODEO I (TFR, TFS, TRF): 2.5 DiTD 4x4 (TFS86_) 05.2002/06.2012 74KW 101CV 2499CC - ISUZU RODEO I (TFR, TFS, TRF): 2.5 DiTD (TFR86_) 10.2006/06.2012 100KW 136CV 2499CC - ISUZU RODEO I (TFR, TFS, TRF): 2.5 DiTD 4x4 (TFS86_) 01.2007/06.2012 100KW 136CV 2499CC - ISUZU RODEO I (TFR, TFS, TRF): 3.0 DiTD 4x4... d49x45mm	d38mm c32mm 1f-d18mm
	S1697 NO. 2904140K00 - 8-94408-840-0 - 8-94408-840-2 - 8-94408-840-3 - 8-97104-178-0 - 8-97220-077-0 - 897366...		S1699 NO. 8-97018-165-0 - 8-97138-389-1 - 8-97364-176-0 - 8-97366-491-0 - 8-98005-834-0 - 8-98005-835-0
SILENT-BLOC DO BRAÇO DA SUSPENSÃO SUPERIOR (GASTA 4 UNIDADES) ISUZU D-MAX I Camião de plataforma/chassis (TFR, TFS): 2.5 DiTD 10.2006/06.2012 100KW 136CV 2499CC - ISUZU D-MAX I Camião de plataforma/chassis (TFR, TFS): 2.5 DiTD 4x4 10.2006/10.2012 100KW 136CV 2499CC d49x45mm	d38mm c32mm 1f-d18mm	SILENT-BLOC DO BRAÇO DA SUSPENSÃO INFERIOR (GASTA 2 UNIDADES) ISUZU RODEO I (TFR, TFS, TRF): 2.5 DiTD (TFR86_ , TRF54_) 10.2002/06.2012 74KW 101CV 2499CC - ISUZU RODEO I (TFR, TFS, TRF): 2.5 DiTD (TFR86_ , TRF54_) 10.2002/06.2012 74KW 101CV 2499CC - ISUZU RODEO I (TFR, TFS, TRF): 2.5 DiTD 4x4 (TFS86_) 05.2002/06.2012 74KW 101CV 2499CC - ISUZU RODEO I (TFR, TFS, TRF): 2.5 DiTD 4x4 (TFS86_) 05.2002/06.2012 74KW 101CV 2499CC - ISUZU RODEO I (TFR, TFS, TRF): 2.5 DiTD 4x4 (TFS86_) 01.2007/06.2012 100KW 136CV 2499CC - ISUZU RODEO I (TFR, TFS, TRF): 2.5 D... d42x57mm	d36mm c41mm 1f-d16mm
	S1699 NO. 8-97018-165-0 - 8-97138-389-1 - 8-97364-176-0 - 8-97366-491-0 - 8-98005-834-0 - 8-98005-835-0		S2098 NO. 8-97947-171-0
SILENT-BLOC DO BRAÇO DA SUSPENSÃO INFERIOR (GASTA 2 UNIDADES) ISUZU D-MAX I Camião de plataforma/chassis (TFR, TFS): 2.5 DiTD 4x4 10.2006/10.2012 100KW 136CV 2499CC d42x57mm	d36mm c41mm 1f-d16mm	SILENT-BLOC DAS MOLAS DAS LAMINAS DE TRÁS PARTE DA FRENTE ISUZU D-MAX I Camião de plataforma/chassis (TFR, TFS): 2.5 DiTD 4x4 10.2006/10.2012 100KW 136CV 2499CC 4JK1-TC d40x73mm	c60mm 1f-d14mm
	T1147 NO. 8-97235784-0		T1245 NO. 8-97247083-0
BATENTE BARRA ESTABILIZADORA FRENTE DO CENTRO (GASTA 2 UNIDADES) ISUZU RODEO I (TFR, TFS, TRF): 2.5 DiTD (TFR86_ , TRF54_) 10.2002/06.2012 74KW 101CV 2499CC - ISUZU RODEO I (TFR, TFS, TRF): 2.5 DiTD 4x4 (TFS86_) 05.2002/06.2012 74KW 101CV 2499CC - ISUZU RODEO I (TFR, TFS, TRF): 2.5 DiTD (TFR86_) 10.2006/06.2012 100KW 136CV 2499CC - ISUZU RODEO I (TFR, TFS, TRF): 2.5 DiTD 4x4 (TFS86_) 01.2007/06.2012 100KW 136CV 2499CC - ISUZU RODEO I (TFR, TFS, TRF): 3.0 DiTD 4x4... 40x42x45mm	34x44x35mm 1f-d25mm	BATENTE DA BARRA ESTABILIZADORA DA FRENTE ISUZU RODEO I (TFR, TFS) 2.5 (De 10.2006 Até 10.2012) 56kW 76cv 2499cm3 Pick-up - ISUZU RODEO I (TFR, TFS) 2.5 DiTD (TFR86_) (De 10.2006 Até 06.2012) 100kW 136cv 2499cm3 Pick-up - 44x43x42mm	40x37x35mm 1f-d24mm
	UTR0957 NO. 8-94116916-0 - 8-94116916-1 - 8-97104194-0 - 8-97171436-0 - 8-97209559-0 - 8971200730		UTR0957 NO. 8-94116916-0 - 8-94116916-1 - 8-97104194-0 - 8-97171436-0 - 8-97209559-0 - 8971200730
TAMPÃO DO RADIADOR ISUZU D-MAX I Camião de plataforma/chassis (TFR, TFS) 2.5 DiTD (De 10.2006 Até 06.2012) 100kW 136cv 2499cm3 Camião de plataforma/chassis - d45x25mm	d28x22mm	TAMPÃO DO RADIADOR ISUZU D-MAX II (TFR, TFS) 2.5 CRDi (TFR86J) (De 06.2012 -) 120kW 163cv 2499cm3 Pick-up - ISUZU D-MAX II (TFR, TFS) 2.5 CRDi 4x4 (TFS86J) (De 06.2012 -) 120kW 163cv 2499cm3 Pick-up - d45x25mm	d28x22mm

	<p>UTR0957 NO. 8-94116916-0 - 8-94116916-1 - 8-97104194-0 - 8-97171436-0 - 8-97209559-0 - 8-971200730</p> <p>TAMPÃO DO RADIADOR</p> <p>ISUZU RODEO I (TFR, TFS) 2.5 DiTD (TFR86_) (De 10.2006 Até 06.2012) 100kW 136cv 2499cm3 Pick-up - ISUZU RODEO I (TFR, TFS) 2.5 DiTD (TFR86_, TFR54_) (De 10.2002 Até 06.2012) 74kW 101cv 2499cm3 Pick-up - ISUZU RODEO I (TFR, TFS) 2.5 DiTD 4x4 (TFS86_) (De 05.2002 Até 06.2012) 74kW 101cv 2499cm3 Pick-up - ISUZU RODEO I (TFR, TFS) 2.5 DiTD 4x4 (TFS86_) (De 01.2007 Até 06.2012) 100kW 136cv 2499cm3 Pick...</p> <p>d45x25mm d28x22mm</p>		<p>UTR0958 NO. 8941169161 - 8971041940 - 8971714360 - 8972095590 - 8972391870 - 8941169160 - 8971200730</p> <p>TAMPÃO RADIADOR</p> <p>ISUZU D-MAX I Camião de plataforma/chassis (TFR, TFS) 2.5 DiTD (De 10.2006 Até 06.2012) 100kW 136cv 2499cm3 Camião de plataforma/chassis - ISUZU D-MAX I Camião de plataforma/chassis (TFR, TFS) 2.5 DiTD 4x4 (De 10.2006 Até 10.2012) 100kW 136cv 2499cm3 Camião de plataforma/chassis -</p> <p>d45x29mm d28x21mm</p>
	<p>UTR0958 NO. 8941169161 - 8971041940 - 8971714360 - 8972095590 - 8972391870 - 8941169160 - 8971200730</p> <p>TAMPÃO RADIADOR</p> <p>ISUZU D-MAX II (TFR, TFS) 1.9 Ddi (TFR87J) (De 03.2017 -) 120kW 163cv 1898cm3 Pick-up - ISUZU D-MAX II (TFR, TFS) 1.9 Ddi 4x4 (TFS87J) (De 03.2017 -) 120kW 163cv 1898cm3 Pick-up - ISUZU D-MAX II (TFR, TFS) 2.5 CRDi (TFR86J) (De 06.2012 -) 120kW 163cv 2499cm3 Pick-up - ISUZU D-MAX II (TFR, TFS) 2.5 CRDi 4x4 (TFS86J) (De 06.2012 -) 120kW 163cv 2499cm3 Pick-up - ISUZU D-MAX II Camião de plataforma/ch...</p> <p>d45x29mm d28x21mm</p>		<p>UTR0958 NO. 8941169161 - 8971041940 - 8971714360 - 8972095590 - 8972391870 - 8941169160 - 8971200730</p> <p>TAMPÃO RADIADOR</p> <p>ISUZU RODEO I (TFR, TFS) 2.5 (De 10.2006 Até 10.2012) 56kW 76cv 2499cm3 Pick-up - ISUZU RODEO I (TFR, TFS) 2.5 DiTD (TFR86_) (De 10.2006 Até 06.2012) 100kW 136cv 2499cm3 Pick-up - ISUZU RODEO I (TFR, TFS) 2.5 DiTD (TFR86_, TFR54_) (De 10.2002 Até 06.2012) 74kW 101cv 2499cm3 Pick-up - ISUZU RODEO I (TFR, TFS) 2.5 DiTD 4x4 (TFS86H) (De 10.2006 Até 06.2012) 85kW 116cv 2499cm3 Pick-up - ISUZU RODEO I ...</p> <p>d45x29mm d28x21mm</p>

ISUZU BIG HORN-FARGO-FASTER-COMO

	<p>A1226 NO. 8-94225-549-2</p> <p>APOIO DE MOTOR ESQUERDO</p> <p>ISUZU FASTER</p> <p>165x120x42mm 2p-d10-27mm</p>		<p>A1232 NO. 5-93225-269-0</p> <p>APOIO CAIXA VELOCIDADES</p> <p>ISUZU FASTER KB20</p> <p>165x110x50mm 2p-d10-25mm 1r-d10</p>
	<p>A1235 NO. 9-51217-612-1 - 9-51217-612-2</p> <p>APOIO BATENTE BRAÇO DE SUSPENSÃO FRENTE INFERIOR (GASTA 2 UNIDADES)</p> <p>ISUZU FASTER</p> <p>100x66x50mm</p>		<p>A2492 NO. 8-97039-195-2 - 8-97039-195-3 - 8-97039-195-4</p> <p>APOIO DA CAIXA DE VELOCIDADES</p> <p>ISUZU BIGHORN-UBR6VF-UBS1VC-UBS1VF-UBS5VC-UBS5VF-UBS6VC-UBS6VF</p> <p>162x139x55mm 2p-d10x24mm</p>
	<p>F0511-I NO. 5-43319-019-0 - 94027769</p> <p>FOLE DE TRANSMISSÃO</p> <p>ISUZU MIDI Autocarro (94000, 98000): 2.0 4WD (94000) 06.1988/08.1992 61KW 83CV 1995CC - ISUZU MIDI Autocarro (94000, 98000): 2.2 D (98000) 06.1988/08.1992 45KW 61CV 2189CV - ISUZU MIDI Autocarro (94000, 98000): 2.2 D 4WD (94000) 06.1988/08.1992 45KW 61CV 2189CC - ISUZU MIDI Van (94000, 98000): 2.0 4WD (94000) 06.1988/08.1992 61KW 83CV 1995CC - ISUZU MIDI Van (94000, 98000): 2.2 D 4WD (94000) 06.1...</p> <p>d89x91mm 1f-d75mm 1f-d21mm</p>		<p>KF3800 NO.</p> <p>KIT DE FOLE</p> <p>ISUZU BIG HORN 2.2 - FARGO - FASTER</p> <p>d88x80mm 1f-d75mm 1f-d22mm</p>
	<p>L3106 NO. 5-86130-833-0</p> <p>CASQUILHO DE MOLAS DE TRÁS PARTE DE TRÁS EM CIMA (GASTA 4 UNIDADES)</p> <p>ISUZU COMO JVWE25 (2001 A 2012)</p> <p>d45x51mm d36mm 1f-d18mm</p>		<p>L3107 NO. 5-86130-834-0</p> <p>CASQUILHO DE MOLAS DE TRÁS PARTE DE TRÁS EM BAIXO (GASTA 4 UNIDADES)</p> <p>ISUZU COMO JVWE25 (2001 A 2012)</p> <p>d55x37mm d36mm 1f-d18mm</p>
	<p>S1183 NO. 8-94223-366-0 - 8-94223-366-1 - 8-94316-903-0</p> <p>SILENT-BLOC DO BRAÇO DA SUSPENSÃO INFERIOR (GASTA 2 UNIDADES)</p> <p>ISUZU TROOPER I (UBS): 2.2 D 4WD 05.1984/12.1989 39KW 53CV 2238CC - ISUZU TROOPER I (UBS): 2.8 TD (UBS55) 10.1987/12.1991 71KW 97CV 2771CC - ISUZU TROOPER I (UBS): 2.8 TD (UBS55) 10.1988/12.1991 78KW 106CV 2771CC - ISUZU TROOPER I Veículo todo terreno aberto (UBS): 2.3 (UBS16) 11.1985/12.1991 66KW 90CV 2254CC - ISUZU TROOPER I Veículo todo terreno aberto (UBS): 2.6 i (UBS17) 10.1987/12.1991 85KW 1...</p> <p>d46x64mm c52mm d36mm 1f-d14mm</p>		

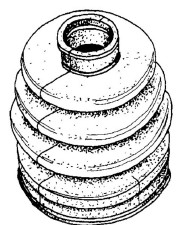
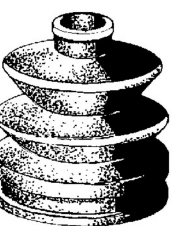

	<p>A1378 NO. 8-94433-673-0</p> <p>APOIO BATENTE BRAÇO DE SUSPENSÃO FRENTE INFERIOR (GASTA 2 UNIDADES)</p> <p>ISUZU TFR 1988/1991 - ISUZU TFR 1991/1999 - ISUZU TFR 1995/2002 - ISUZU TFR 1999/2002 - ISUZU TFS 1988/1991 - ISUZU TFS 1991/1999 - ISUZU TFS 1995/1999 - ISUZU TFS 1999/2002</p> <p>76x50x60mm</p>		<p>A1416 NO. 8-94259-086-0 - 8-94259-086-A</p> <p>APOIO BATENTE BRAÇO DE SUSPENSÃO FRENTE SUPERIOR (GASTA 2 UNIDADES)</p> <p>ISUZU BRAVA TFR 2500 DI - ISUZU PANTHER TBR52 - ISUZU PANTHER TBR54 - ISUZU PANTHER TBR541</p> <p>d52x32mm</p>
	<p>A1422 NO. 91162338 - 8-97039-190-2 - 8-97039-190-3 - 8-97086-076-1 - 8-97910-967-0 - 8-97941-907-0 - 97149837</p> <p>APOIO DE MOTOR ESQUERDO</p> <p>ISUZU P/UP TFR 2800CC TURBO 1997/»»» - ISUZU P/UP TFR 2800CC 4WD 2001/»»» - ISUZU P/UP TFR (4JB1) 1991/2002 - ISUZU P/UP BRAVA TFR 2800 TD 1997/2002</p> <p>142x120x95mm 2p-d10-25mm</p>		<p>A1425 NO. 8-97039-189-2 - 8-97039-189-3 - 8-97910-966-0 - 91162337 - 97149836</p> <p>APOIO DE MOTOR DIREITO</p> <p>ISUZU P/UP TFR 2800CC TURBO 1997/»»» - ISUZU P/UP TFR 2800CC 4WD 2001/»»» - ISUZU P/UP TFR (4JB1) 1991/2002 - ISUZU P/UP BRAVA TFR 2800 TD 1997/2002</p> <p>142-120-55mm 2p-d10-25mm</p>
	<p>A1493 NO. 8-94202520-0 - 8-94204-521-0 - 8-94222-970-0</p> <p>APOIO DE TRANSMISSÃO COM ROLAMENTO 25MM</p> <p>ISUZU BRAVA 2300 KB20</p> <p>170x135x60mm 1f-d25mm</p>		<p>A1494 NO. 8-94328-799-0 - 8-94386-854-0</p> <p>APOIO DE TRANSMISSÃO COM ROLAMENTO 30MM</p> <p>ISUZU BRAVA TFR 2500DI 4X4</p> <p>135x115x50mm 1f-d30mm</p>
	<p>A1495 NO. 8-94328-800-0 - 8-97025-752-0</p> <p>APOIO DE TRANSMISSÃO COM ROLAMENTO 30MM</p> <p>ISUZU P/UP TFR 2WD AGO89/»»» - ISUZU P/UP TFR 1991/1993 - ISUZU P/UP BRAVA TFR 4WD 2500DI 1993/»»» - ISUZU P/UP TFS AGO89/»»»</p> <p>160x115x48mm 1f-d30mm</p>		<p>A1623 NO. 894226-970-0</p> <p>APOIO BATENTE BRAÇO DE SUSPENSÃO FRENTE INFERIOR (GASTA 2 UNIDADES)</p> <p>ISUZU BRAVA</p> <p>80x54x54mm 2p-d10-30mm</p>
	<p>F4004 NO. 8-94959-464-3</p> <p>FOLE RESGUARDO ROTULA SUSPENSÃO</p> <p>ISUZU D-MAX II (TFR, TFS): 2.5 CRDi (TFR86J) 06.2012/»»» 120KW 163CV 2499CC - ISUZU D-MAX II (TFR, TFS): 2.5 CRDi 4x4 (TFS86J) 06.2012/»»» 120KW 163CV 2499CC</p> <p>d51x25mm 1f-d42mm 1f-d24mm</p>		<p>KL3115 NO. 8-94223-0 - 8-94223-699-0K - 9-51631-619-1</p> <p>KIT CASQUILHOS DE ESTICADOR DE SUSPENSÃO (GASTA 2 UNIDADES)</p> <p>ISUZU P/UP BRAVA 1989/1996 - ISUZU P/UP KBZ</p> <p>d42x19mm d52x4mm d52x17mm d17x21mm d14mm 1f-d21mm 1f-d14mm</p>
	<p>L3115 NO. 8942236990 - 9516316191</p> <p>CASQUILHO DO ESTICADOR DA SUSPENSÃO (GASTA 4 UNIDADES)</p> <p>ISUZU P/UP BRAVA 1989/1996 - ISUZU P/UP KBZ</p> <p>d41x19mm 1f-d17mm</p>		<p>P1041 NO. 8-94222-524-0 - 8-94222-524-1 - 8-97318799-0</p> <p>CAPA PEDAL EMBRAIAGEM/TRAVAO (GASTA 2 UNIDADES)</p> <p>ISUZU P/UP BRAVA - ISUZU P/UP TFR - ISUZU P/UP D-MAX 2003/2007 - ISUZU RODEIO 2003/2006 - Isuzu Rodeio 2006 Captador 8DH [2002-2016] Pegar 2999ccm 131HP 96KW (Diesel) - Isuzu Rodeio 2005 Captador 8DH [2002-2016] Pegar 2999ccm 131HP 96KW (Diesel) - Isuzu Rodeio 2004 Captador 8DH [2002-2016] Pegar 2999ccm 131HP 96KW (Diesel) - Isuzu Rodeio 2003 Captador 8DH [2002-2016] Pegar 2999ccm 131HP 96KW (Diesel)...</p> <p>62x53x11mm</p>
	<p>T0019 NO. 9-51631-619-1</p> <p>BATENTE BARRA ESTABILIZADORA DA PONTA (GASTA 4 UNIDADES)</p> <p>ISUZU BRAVA</p> <p>d38-21mm 1f-d14mm</p>		

	<p>A0826 NO. 553215030</p> <p>APOIO DE MOTOR</p> <p>ISUZU ELF 250-79</p> <p>123x100x41mm 1p-d12-22mm</p>		<p>A1227 NO. 5-53215-023-1 - 5-53215-030-0 - 9-53215-602-0</p> <p>APOIO DE MOTOR</p> <p>ISUZU (TLD12) ELF - ISUZU ELF250 (C240) S250 1970/»» - ISUZU ZJR - ISUZU TLD - ISUZU BLD - ISUZU KAD51</p> <p>121x98x40mm 1p-d12-27mm</p>
	<p>A1228 NO. 9-53215-612-2</p> <p>APOIO DE MOTOR ESQUERDO</p> <p>ISUZU ELF350</p> <p>120x108x50mm 1p-d12-25mm</p>		<p>A1233 NO. 9-53215-611-2</p> <p>APOIO DE MOTOR DIREITO</p> <p>ISUZU ELF350</p> <p>120x105x50mm 1p-d12-25mm</p>
	<p>A1240 NO. 9-37516-030-0</p> <p>APOIO DE TRANSMISSÃO</p> <p>ISUZU ELF 250</p> <p>120x115x40mm 1f-d76mm</p>		<p>A1710 NO. 1-37516-030-0 - 5-37516-030-0 - 5-37516-030-1 - 9-37516030-0</p> <p>APOIO DE TRANSMISSÃO COM ROLAMENTO 32MM</p> <p>ISUZU ELF250 H.P. 1978/1980 - ISUZU ELF250 - ISUZU KS21 1972/»» - ISUZU C240</p> <p>125x125x48mm 1f-d32mm</p>
	<p>A2236 NO. 8-94369-141-1</p> <p>APOIO DE MOTOR DIREITO</p> <p>ISUZU ELF 1981/»» - ISUZU ELF (4JG2) (4JB1) NHS69 - ISUZU ELF NKB5SC - ISUZU NKB6SC - ISUZU NKC5SC - ISUZU NKC5SF - ISUZU NKC6SC - ISUZU NKC6SF</p> <p>92x63x80mm 2p-d10x25mm 1p-d12x26mm</p>		<p>A2237 NO. 8-94369-142-1</p> <p>APOIO DE MOTOR ESQUERDO</p> <p>ISUZU ELF 1981/»» - ISUZU ELF (4JG2) (4JB1) NHS69 - ISUZU ELF NKB5SC - ISUZU NKB6SC - ISUZU NKC5SC - ISUZU NKC5SF - ISUZU NKC6SC - ISUZU NKC6SF</p> <p>92x63x80mm 2p-d10x25mm 1p-d12x26mm</p>
	<p>A2238 NO. 8-97070703-1 - 8-97080-621-0 - 8-97122892-0 - 8-97122892-1</p> <p>APOIO DE MOTOR ESQUERDO</p> <p>ISUZU ELF CAMIAO DE PLATAFORMA/CHASSIS NKR8_NKQ8_) 3.0 DI OUT/03/»» 96KW 131CV 2999CC</p> <p>205x78x120mm 1f-17x11mm 1r-d8mm 1p-d11x24mm</p>		<p>A2239 NO. 8-97070702-1 - 8-97080-620-0 - 8-97122890-0 - 8-97122890-1</p> <p>APOIO DE MOTOR DIREITO</p> <p>ISUZU ELF CAMIAO DE PLATAFORMA/CHASSIS NKR8_NKQ8_) 3.0 DI OUT/03/»» 96KW 131CV 2999CC</p> <p>205x78x120mm 1f-17x11mm 1r-d8mm 1p-d11x24mm</p>
	<p>KF4170 NO. 8-97076-003-1 - 8-97107-328-0 - 8-97107-328-2</p> <p>KIT FOLE RESGUARDO RÓTULAS (GASTA 2 UNIDADES)</p> <p>ISUZU ELF Camião de plataforma/chassis (NKR7_, NKS7_, NHR6_, NKR6_ : 3.1 TD 01.1998/12.2001 61KW 82CV 3059CC - ISUZU ELF Camião de plataforma/chassis (NKR7_, NKS7_, NHR6_, NKR6_ : 3.1 TD 01.1998/12.2001 61KW 82CV 3059CC - ISUZU ELF Camião de plataforma/chassis (NKR7_, NKS7_, NHR6_, NKR6_ : 3.1 TD 01.1998/12.2001 61KW 82CV 3059CC - ISUZU ELF Camião de plataforma/chassis (NKR8_, NKQ8_) : 3.0 Di 10.2003 ...</p> <p>d55x38mm 1f-d37mm 1f-d28mm</p>		<p>KM0408 NO. 8-94117-900-1 - 8941179000</p> <p>KIT BRINÇOS DE MOLA FRENTE E TRAS PARTE DA FRENTE (GASTA 4 UNIDADES)</p> <p>ISUZU ELF - ISUZU NHB5SF - ISUZU NHB5WF - ISUZU NHB6SF - ISUZU NHB6WF - ISUZU NHN5SF - ISUZU NHN6SC - ISUZU NHN6SF - ISUZU NKB1SC - ISUZU NKB5SC - ISUZU NKB5WC - ISUZU NKB6SC - ISUZU NKB6WC - ISUZU NKC1SC - ISUZU NKC1SD - ISUZU NKC1SF - ISUZU NKC5SC - ISUZU NKC5SF - ISUZU NKC5WF - ISUZU NKC6SC - ISUZU NKC6SD - ISUZU NKC6SF - ISUZU NKC6WF - ISUZU NKN1SC - ISUZU NKN1SF - ISUZU NKN5SC - ISUZU NKN6SC ...</p> <p>90x65x12mm 1p-d22-150mm</p>
	<p>P1023 NO. 5473130041 - 9-31413-002-0</p> <p>CAPA DE PEDAL TRAVAO/EMBRAIAGEM (GASTA 2 UNIDADES)</p> <p>ISUZU ELF 250</p> <p>90x55x13mm</p>		<p>R8110 NO. 8-94340-391-0 - 8942585970</p> <p>TUBO SUPERIOR DO RADIADOR</p> <p>ISUZU ELF NKR12 - ISUZU ELF NKR12EL - ISUZU ELF NKR55 - ISUZU ELF NKR55C - ISUZU ELF NKR55CE - ISUZU ELF NKR55E - ISUZU ELF NKR55L - ISUZU ELF NKR55LL - ISUZU ELF NKR55LR - ISUZU ELF NKR56 - ISUZU ELF NKR57 - ISUZU ELF NKR57E - ISUZU ELF NKR57ED - ISUZU ELF NKR57EN - ISUZU ELF NKR57LR - ISUZU ELF NKR58 - ISUZU ELF NKR58D - ISUZU ELF NKR58E - ISUZU ELF NKR58L - ISUZU ELF NKR58LZ - ISUZU ELF NKR58E ...</p> <p>B200-d40-d36mm 115-120mm</p>
	<p>R8111 NO. 8942493700</p> <p>TUBO INFERIOR DO RADIADOR</p> <p>ISUZU ELF NKR12 - ISUZU ELF NKR12EL - ISUZU ELF NKR55 - ISUZU ELF NKR55C - ISUZU ELF NKR55CE - ISUZU ELF NKR55E - ISUZU ELF NKR55L - ISUZU ELF NKR55LL - ISUZU ELF NKR55LR - ISUZU ELF NKR56 - ISUZU ELF NKR57 - ISUZU ELF NKR57E - ISUZU ELF NKR57ED - ISUZU ELF NKR57EN - ISUZU ELF NKR57LR - ISUZU ELF NKR58 - ISUZU ELF NKR58D - ISUZU ELF NKR58E - ISUZU ELF NKR58L - ISUZU ELF NKR58LZ - ISUZU ELF NKR58E...</p> <p>B440-d42-d36mm 160-350-100mm</p>		<p>S1011 NO. 9-51151-023-0 - 9-51151-023-1 - 9-51151-036-0</p> <p>SILENT-BLOC DE MOLAS DA FRENTE (GASTA 4 UNIDADES)</p> <p>ISUZU ELF 221 - ISUZU ELF 250</p> <p>d38x68mm c61mm 1f-d16mm</p>

	<p>S1011-B NO. 9-51151-023-0 - 9-51151-023-1 - 9-51151-036-0</p> <p>SILENT-BLOC DE MOLAS DA FRENTE (GASTA 4 UNIDADES)</p> <p>ISUZU ELF 221 - ISUZU ELF 250</p>		<p>S1065 NO. 8-94130-354-0 - 8-97227-996-0 - 9-51351-029-0 - 9-51351-029-1</p> <p>SILENT-BLOC DAS MOLAS DE TRÁS E FRENTE PARTE DA FRENTE (GASTA 4 UNIDADES)</p> <p>ISUZU ELF Camião de plataforma/chassis (NKR7_, NKS7_, NHR6_, NKR6_: 3.1 TD 01.1998/12.2001 61KW 82CV 3059CC - ISUZU ELF Camião de plataforma/chassis (NKR8_, NKQ8_): 3.0 Di 10.2003/»» 96KW 131CV 2999CV - ISUZU ELF Camião de plataforma/chassis (NKR8_, NKQ8_): 3.0 Di 10.2003/»» 96KW 131CV 2999CV</p>
	<p>S1318 NO. 8-94130-354-0 - 8-94130-354-1 - 9-51351-029-0</p> <p>SILENT-BLOC DAS MOLAS DE TRÁS E FRENTE PARTE DA FRENTE (GASTA 4 UNIDADES)</p> <p>ISUZU ELF Camião de plataforma/chassis (NKR7_, NKS7_, NHR6_, NKR6_: 3.1 TD 01.1998/12.2001 61KW 82CV 3059CC - ISUZU ELF Camião de plataforma/chassis (NKR8_, NKQ8_): 3.0 Di 10.2003/»» 96KW 131CV 2999CV - ISUZU ELF Camião de plataforma/chassis (NKR8_, NKQ8_): 3.0 Di 10.2003/»» 96KW 131CV 2999CV</p>		<p>S1399 NO. 48830M70F00 - 8-97074-826-0</p> <p>SILENT-BLOC DE MOLAS DE TRÁS PARTE DA FRENTE (GASTA 4 UNIDADES)</p> <p>ISUZU ELF Camião de plataforma/chassis (NKR8_, NKQ8_) N-SERIES 3.0 Di desde 10.2003 96KW 131CV 2999CC 4JH1-TC - ISUZU ELF Camião de plataforma/chassis (NKR8_, NKQ8_) N-SERIES 5.2 Di desde 10.2003 110KW 150CV 5193CC 4HK1-TCN</p>
	<p>S1399 NO. 48830M70F00 - 8-97074-826-0</p> <p>SILENT-BLOC DE MOLAS DE TRÁS PARTE DA FRENTE (GASTA 4 UNIDADES)</p> <p>ISUZU ELF Camião de plataforma/chassis (NKR8_, NKQ8_): 3.0 Di 10.2003/»» 96KW 131CV 2999CC</p>		<p>S1625 NO. 8971883690</p> <p>SILENT-BLOC DO BRAÇO DA SUSPENSÃO SUPERIOR (4 UNIDADES)</p> <p>ISUZU ELF, NKB5SC, NKB6SC, NKR5SE, NKR5WE, NMR5SE, NMR5SN, NMR5WE, NMR6SE, NMR6WE, NMS5SE, NMS5WE, NMS6SE</p>
	<p>S1738 NO. 8-94336-509-0 - 8-94336-509-1</p> <p>SILENT-BLOC DO BRAÇO DA SUSPENSÃO INFERIOR (GASTA 2 UNIDADES)</p> <p>ISUZU ELF Camião de plataforma/chassis (NKR7_, NKS7_, NHR6_, NKR6_: 3.1 TD 01.1998/12.2001 61KW 82CV 3059CC - ISUZU ELF Camião de plataforma/chassis (NKR7_, NKS7_, NHR6_, NKR6_: 3.1 TD 01.1998/12.2001 61KW 82CV 3059CC - ISUZU ELF Camião de plataforma/chassis (NKR8_, NKQ8_): 3.0 Di 10.2003/»» 96KW 131CV 2999CC</p>		<p>S1738 NO. 8-94336-509-0 - 8-94336-509-1</p> <p>SILENT-BLOC DO BRAÇO DA SUSPENSÃO INFERIOR (GASTA 2 UNIDADES)</p> <p>ISUZU ELF Camião de plataforma/chassis (De 1998.01 Até 2001.12) 61kW 82cv 3059cm3 Camião de plataforma/chassis -</p>
	<p>UCRZ1105 NO. 5-37300-032-0 - 8-94376-373-0 - 8-97080-505-0 - 8-97080-505-1 - 8-97106-212-0 - 8-98033-605-0</p> <p>CRUZETA TRANSMISSÃO VEIO LONGITUDINAL D33X94MM</p> <p>ISUZU ELF Camião de plataforma/chassis (NKR8_, NKQ8_) N-SERIES 3.0 Di desde 10.2003 96KW 131CV 2999CC 4JH1-TC - ISUZU ELF Camião de plataforma/chassis (NKR8_, NKQ8_) N-SERIES 5.2 Di desde 10.2003 110KW 150CV 5193CC 4HK1-TCN</p>		
	d33x93mm	xxxx	

ISUZU FTR-FSR-JCR

	<p>A1626 NO. 1-37510-074-0 - 1-37510-088-1 - 1-37510-091-0 - 1-37510-102-0 - 1-37510-104-0 - 1-37510-105-0 - 1-37...</p> <p>APOIO DE TRANSMISSÃO COM ROLAMENTO 45MM</p> <p>ISUZU FORWARD, FCD5CS, FCD5MS, FCD5WS, FCD6CS, FCR5CS, FCR5MS, FCR5WS, FCR6CS, FCR6MS, FGD5MV, FGR5MV, FGR5WV, FGR6MV, FRD5MF, FRR5MF, FRR5WF, FRR6MF, FSR5MF, FSR5WF, FSR6MF, FSR6VF, FSS5MF, FSS5WF, FTR5MC, FTR5MF, FTR5WF, FTR6MC, FTR6MF, FTR6VF, FTS5MF, FTS5WF, FVM5MF, FVR5FC, FVR5FF, FVR5MC, FVR5MF, FVR6MC, FVR6MF, FVZ5MF, GGD5MV, GGR5MV, GGR6MV, GVR5MC - ISUZU FT - ISUZU FTR 1984/»» - ISUZU F...</p>	
	180x130x70mm	1f-d45mm

	<p>F0512-I NO. 8-94124-133-0 - 8-94153-133-0 - 8-94473-226-0</p> <p>FOLE DE TRANSMISSAO</p> <p>ISUZU GEMINI (JT) 1.5 D 02.1988/12.1990 37KW 50CV 1488CC 4EC1 7115304 - ISUZU GEMINI (JT) 1.5 TD 02.1988/12.1990 49KW 67CV 1488CC 4EC1T 7115306 - ISUZU GEMINI três volumes (JT) 1.5 D 02.1988/12.1989 37KW 50CV 1488CC 4EC1 7115305 - ISUZU GEMINI três volumes (JT) 1.5 TD 02.1988/12.1989 49KW 67CV 1488CC 4EC1T 7115307</p> <p>d83x85mm 1f-d72mm 1f-d22mm</p>		<p>F0694-I NO. 8-94258-285-0 - 8-94312-678-0 - 8-94312-678-1 - 8-94449-739-0 - 8-94462-589-0 - 8-94473-234-0 - 942...</p> <p>FOLE DE TRANSMISSAO</p> <p>ISUZU CAMPO (KB): 2.0 (KB28) 06.1985/12.1988 58KW 79CV 1950CC - ISUZU CAMPO (KB): 2.0 4WD (KB48) 06.1985 - 12.1988 58KW 79CV 1950CC - ISUZU CAMPO (KB): 2.2 D (KBD27) 04.1986/12.1990 39KW 53CV 2238CC - ISUZU CAMPO (KB): 2.2 D 4WD (KBD42, KBD47) 01.1983/12.1990 39KW 53CV 2238CC - ISUZU CAMPO (KB): 2.5 D 4WD (KBD47) 01.1983/12.1990 55KW 75CV 2499CC - ISUZU GEMINI (JT): 1.5 01.1985/12.1986 53KW 72CV ...</p> <p>d90x86mm 1f-d23mm 1f-d79mm</p>
	<p>F0706-I NO. 8-94153-134-0</p> <p>FOLE DE TRANSMISSAO</p> <p>ISUZU GEMINI (JT): 1.5 02.1988/12.1990 52KW 71CV 1481CC - ISUZU GEMINI três volumes (JT): 1.5 02.1988/12.1989 52KW 71CV 1481CC - ISUZU CAMPO (KB): 2.2 D 4WD (KBD42, KBD47) 01.1983/12.1990 39KW 53CV 2238CC - ISUZU MIDI Autocarro (94000, 98000): 2.0 (98000) 06.1988/08.1992 61KW 83CV 1995CC - ISUZU MIDI Autocarro (94000, 98000): 2.0 TD (98000) 01.1989/08.1992 51KW 69CV 1995CC - ISUZU MIDI Autocarro (...)</p> <p>d89x92mm 1f-d76mm 1f-d22mm</p>		<p>F1253-I NO. 39741-70A25 - 39741-70A26 - 8-94449-740-0 - 8-94462-591-0</p> <p>FOLE DE TRANSMISSAO</p> <p>ISUZU GEMINI (JT): 1.6 GTI 16V 08.1988/12.1990 84KW 114CV 1588CC - ISUZU MIDI Autocarro (94000, 98000): 2.4 D (98000) 01.1994/07.1996 56KW 76CV 2380CC - ISUZU MIDI Van (94000, 98000): 2.4 TD (98000) 01.1994/07.1996 56KW 76CV 2380CC - ISUZU MIDI Caixa (98000N): 2.4 TD 09.1992/07.1996 56KW 76CV 2380CC</p> <p>d86x94mm 1f-d74mm 1f-d23mm</p>
	<p>KF2327 NO. 94312678</p> <p>KIT DE FOLE TRANSMISSAO</p> <p>ISUZU GEMINI (JT): 1.6 GTI 16V 08.1988/12.1990 84KW 114CV 1588CC</p> <p>d86x84mm 1f-d76mm 1f-d22mm</p>		<p>KF3800 NO.</p> <p>KIT DE FOLE</p> <p>ISUZU GEMINI 1.5 - 1.6</p> <p>d88x80mm 1f-d75mm 1f-d22mm</p>



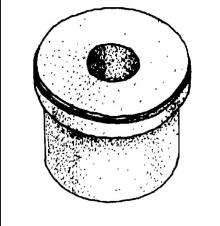




ISUZU KBD KB20-KBZ

	<p>A0826 NO. 553215030</p> <p>APOIO DE MOTOR</p> <p>ISUZU KBD 76</p> <p>123x100x41mm 1p-d12-22mm</p>		<p>A1225 NO. 5-53215-002-2 - 5-53215002-0</p> <p>APOIO DE MOTOR ESQUERDO</p> <p>ISUZU P/UP KB20 1976</p> <p>145x120x42mm 2p-d8-16mm</p>
	<p>A1226 NO. 8-94225-549-2</p> <p>APOIO DE MOTOR ESQUERDO</p> <p>ISUZU P/UP KBZ 1980 - ISUZU KBD26 1982/1987 - ISUZU KBD27 1982/1987</p> <p>165x120x42mm 2p-d10-27mm</p>		<p>A1230 NO. 5-53215-003-2 - 5-53215003-0</p> <p>APOIO DE MOTOR DIREITO</p> <p>ISUZU P/UP KB20 1976</p> <p>145x120x43mm 2p-d8-18mm</p>
	<p>A1231 NO. 8-94225-548-2</p> <p>APOIO DE MOTOR DIREITO</p> <p>ISUZU P/UP KBD20 - ISUZU P/UP KBD25 - ISUZU P/UP KBD26 1981/»» - ISUZU P/UP KBD27 - ISUZU KBD41 1981/»» - ISUZU KBD47 - ISUZU P/UP KBZ 2200 - ISUZU KB21 FASTER KB26 10.1980/1987 - ISUZU FASTER (KB21, KB26, KB41) 1981/»» - ISUZU JACKAROO 1981/»»</p> <p>170x123x43mm 2p-d10-26mm</p>		<p>A1232 NO. 5-93225-269-0</p> <p>APOIO CAIXA VELOCIDADES</p> <p>ISUZU P/UP KBD20 1972/1982</p> <p>165x110x50mm 2p-d10-25mm 1r-d10</p>
	<p>A1235 NO. 9-51217-612-1 - 9-51217-612-2</p> <p>APOIO BATENTE BRAÇO DE SUSPENSAO FRENTE INFERIOR (GASTA 2 UNIDADES)</p> <p>ISUZU CAMPO (KB): 2.2 D (KBD27) 04.1986/12.1990 39KW 53CV 2238CC - ISUZU CAMPO (KB): 2.2 D 4WD (KBD42, KBD47) 01.1983/12.1990 39KW 53CV 2238CC - ISUZU CAMPO (KB): 2.2 D (KBD27) 01.1983/12.1991 45KW 61CV 2238CC</p> <p>100x66x50mm</p>		<p>A1237 NO. 1-08900-039-0 - 8-94202521-0 - 8-942045211 - 8-94222-972-0</p> <p>APOIO DE TRANSMISSÃO COM ROLAMENTO 25MM</p> <p>ISUZU P/UP KBD20 - ISUZU P/UP KBD25 - ISUZU P/UP KBD26 1981/»» - ISUZU P/UP KBD27 - ISUZU KBD41 1981/»» - ISUZU KBD47 - ISUZU P/UP KBZ 2200 - ISUZU KB21 FASTER KB26 10.1980/1987 - ISUZU FASTER (KB21, KB26, KB41) 1981/»» - ISUZU JACKAROO 1981/»»</p> <p>135x120x60mm 1f-d25mm</p>

	<p>A1493 NO. 8-94202520-0 - 8-94204-521-0 - 8-94222-970-0</p> <p>APOIO DE TRANSMISSÃO COM ROLAMENTO 25MM</p> <p>ISUZU KB20 - ISUZU KBD25/76 - ISUZU KBZ</p>		<p>A1539 NO. 9-51217613-2 - 9512170520</p> <p>APOIO BATEnte BRAÇO DE SUSPENSÃO FRENTE SUPERIOR (GASTA 2 UNIDADES)</p> <p>ISUZU CAMPO (KB): 2.2 D (KBD27) 04.1986/12.1990 39KW 53CV 2238CC - ISUZU CAMPO (KB): 2.2 D 4WD (KBD42, KBD47) 01.1983/12.1990 39KW 53CV 2238CC - ISUZU CAMPO (KB): 2.2 D (KBD27) 01.1983/12.1991 45KW 61CV 2238CC</p>
	<p>A1547 NO. 8942231652</p> <p>APOIO BATEnte MOLA DE TRÁS (GASTA 2 UNIDADES)</p> <p>ISUZU PICK-UP KBZ - ISUZU PICK-UP KBD25 - ISUZU PICK-UP BD26 - ISUZU PICK-UP KBD47</p>		<p>E0075 NO. 9-51779-634-1K</p> <p>ESTICADOR BARRA ESTABILIZADORA FRENTE (GASTA 2 UNIDADES)</p> <p>ISUZU CAMPO (KB): 2.0 (KB28) 06.1985/12.1988 58KW 79CV 1950CC - ISUZU CAMPO (KB): 2.0 4WD (KB48) 06.1985/12.1988 58KW 79CV 1950CC - ISUZU CAMPO (KB): 2.2 D (KBD27) 04.1986/12.1990 39KW 53CV 2238CC - ISUZU CAMPO (KB): 2.2 D 4WD (KBD42, KBD47) 01.1983/12.1990 39KW 53CV 2238CC - ISUZU CAMPO (KB): 2.5 D (KB27) 01.1983/12.1990 55KW 75CV 2499CC - ISUZU CAMPO (KB): 2.5 D 4WD (KBD47) 01.1983/12.1990 55KW ...</p>
	<p>F4007 NO. 1-08900-039-0 - 8-94202-521-0</p> <p>FOLE APOIO SUPORTE REPARAÇÃO TRANSMISSÃO</p> <p>ISUZU P/UP KBD20 - ISUZU P/UP KBD25 - ISUZU P/UP KBD26 1981/»»» - ISUZU P/UP KBD27 - ISUZU KBD41 1981/»»» - ISUZU KBD47 - ISUZU P/UP KBZ 2200 - ISUZU KB21 FASTER KB26 10.1980/1987 - ISUZU FASTER (KB21, KB26, KB41) 1981/»»» - ISUZU JACKAROO 1981/»»»</p>		<p>L0176 NO. 0603-34-153 - 1243-34-153 - 5-51631-017-0 - 9-51361-616-0 - 9-51631-616-0 - 90948-01002</p> <p>CASQUILHO DA BARRA ESTABILIZADORA DA PONTA (GASTA 8 UNIDADES)</p> <p>ISUZU CAMPO (KB): 2.2 D (KBD27) 04.1986/12.1990 39KW 53CV 2238CC - ISUZU CAMPO (KB): 2.2 D 4WD (KBD42, KBD47) 01.1983/12.1990 39KW 53CV 2238CC - ISUZU CAMPO (KB): 2.2 D (KBD27) 01.1983/12.1991 45KW 61CV 2238CC</p>
	<p>L1012 NO. 5-51151-007-0</p> <p>CASQUILHO DE MOLAS DE TRÁS PARTE DE TRÁS (8 UNIDADES)</p> <p>ISUZU P/UP KBD 25 1976/»»»</p>		<p>L1013 NO. 00432751 - 0432751 - 094234319 - 432751 - 5-51151-007-0 - 8-94234-190-0 - 8-94234-319-0 - 8-97392-64-0</p> <p>CASQUILHO DE MOLAS DE TRÁS PARTE DE TRÁS (8 UNIDADES)</p> <p>ISUZU CAMPO (KB): 2.0 4WD (KB48) 06.1985/12.1988 58KW 79CV 1950CC - ISUZU CAMPO (KB): 2.2 D (KBD27) 04.1986/12.1990 39KW 53CV 2238CC - ISUZU CAMPO (KB): 2.2 D 4WD (KBD42, KBD47) 01.1983/12.1990 39KW 53CV 2238CC</p>
	<p>L1042 NO. 894223-168-0</p> <p>CASQUILHO DE MOLAS DE TRÁS PARTE DA FRENTE (4 UNIDADES)</p> <p>ISUZU CAMPO (KB): 2.0 4WD (KB48) 06.1985/12.1988 58KW 79CV 1950CC - ISUZU CAMPO (KB): 2.2 D (KBD27) 04.1986/12.1990 39KW 53CV 2238CC - ISUZU CAMPO (KB): 2.2 D 4WD (KBD42, KBD47) 01.1983/12.1990 39KW 53CV 2238CC</p>		<p>P1122 NO. 5-31413-002-1 - 94024273</p> <p>CAPA DE PEDAL TRAVAO/EMBRAIAGEM (GASTA 2 UNIDADES)</p> <p>ISUZU KBD</p>
	<p>S1081 NO. 8-94226-557-0 - 8-94226-557-2</p> <p>SILENT-BLOCO BRAÇO SUSPENSÃO FRENTE SUPERIOR (GASTA 4 UNIDADES)</p> <p>ISUZU CAMPO (KB): 2.0 (KB28) 06.1985/12.1988 58KW 79CV 1950CC - ISUZU CAMPO (KB): 2.0 4WD (KB48) 06.1985/12.1988 58KW 79CV 1950CC - ISUZU CAMPO (KB): 2.2 D (KBD27) 04.1986/12.1990 39KW 53CV 2238CC - ISUZU CAMPO (KB): 2.2 D 4WD (KBD42, KBD47) 01.1983/12.1990 39KW 53CV 2238CC - ISUZU CAMPO (KB): 2.5 D (KB27) 01.1983/12.1990 55KW 75CV 2499CC - ISUZU CAMPO (KB): 2.5 D 4WD (KBD47) 01.1983/12.1990 55KW ...</p>		<p>S1081-B NO. 8-94226-557-0 - 8-94226-557-2</p> <p>SILENT-BLOCO BRAÇO SUSPENSÃO FRENTE SUPERIOR (GASTA 4 UNIDADES)</p> <p>ISUZU CAMPO (KB): 2.0 (KB28) 06.1985/12.1988 58KW 79CV 1950CC - ISUZU CAMPO (KB): 2.0 4WD (KB48) 06.1985/12.1988 58KW 79CV 1950CC - ISUZU CAMPO (KB): 2.2 D (KBD27) 04.1986/12.1990 39KW 53CV 2238CC - ISUZU CAMPO (KB): 2.2 D 4WD (KBD42, KBD47) 01.1983/12.1990 39KW 53CV 2238CC - ISUZU CAMPO (KB): 2.5 D (KB27) 01.1983/12.1990 55KW 75CV 2499CC - ISUZU CAMPO (KB): 2.5 D 4WD (KBD47) 01.1983/12.1990 55KW ...</p>
	<p>S1183 NO. 8-94223-366-0 - 8-94223-366-1 - 8-94316-903-0</p> <p>SILENT-BLOC DO BRAÇO DA SUSPENSÃO INFERIOR (GASTA 2 UNIDADES)</p> <p>ISUZU KBD25 - ISUZU KBD26 - ISUZU KBD27 - ISUZU KBD47 - MONTEREY A (M92): 3.2 (UBS25D, UBS25G) 08.1991/03.1994 130KW 177CV 3165CC - MONTEREY A (M92): 3.1 TD (UBS69D, UBS69G) 09.1991/07.1998 84KW 114CV 3059CC - MONTEREY B (M98): 3.5 V6 24V (UBS26D, UBS26G) 07.1998/08.1999 158KW 215CV 3494CC - MONTEREY B (M98): 3.0 DTI (UBS73D, UBS73G) 07.1998/08.1999 117KW 159CV 2999CC - ISUZU TFR/TFS Pick-up (TF...)...</p>		<p>T0019 NO. 9-51631-619-1</p> <p>BATEnte BARRA ESTABILIZADORA DA PONTA (GASTA 4 UNIDADES)</p> <p>ISUZU CAMPO (KB): 2.2 D (KBD27) 04.1986/12.1990 39KW 53CV 2238CC - ISUZU CAMPO (KB): 2.2 D 4WD (KBD42, KBD47) 01.1983/12.1990 39KW 53CV 2238CC - ISUZU CAMPO (KB): 2.2 D (KBD27) 01.1983/12.1991 45KW 61CV 2238CC</p>
	<p>T0023 NO. 8-94223-157-0</p> <p>BATEnte BARRA ESTABILIZADORA DO CENTRO (GASTA 2 UNIDADES)</p> <p>ISUZU CAMPO (KB): 2.2 D (KBD27) 04.1986/12.1990 39KW 53CV 2238CC - ISUZU CAMPO (KB): 2.2 D 4WD (KBD42, KBD47) 01.1983/12.1990 39KW 53CV 2238CC - ISUZU CAMPO (KB): 2.2 D (KBD27) 01.1983/12.1991 45KW 61CV 2238CC</p>		

	A1228 NO. 9-53215-612-2 APOIO DE MOTOR ESQUERDO ISUZU KS21 (4BA1) 1972/»»» - ISUZU KS22 (4BA1)		A1233 NO. 9-53215-611-2 APOIO DE MOTOR DIREITO ISUZU KS21 (4BA1) 1972/»»» - ISUZU KS22 (4BA1)
	120x108x50mm 1p-d12-25mm		120x105x50mm 1p-d12-25mm
	A1238 NO. 5-37510-007-0 - 5-37516-005-0 - 5-37516-005-1 APOIO DE TRANSMISSÃO SEM ROLAMENTO 40MM ISUZU N-SERIE (5 TONELADAS GENERATION): NKR 69S, NPR 69M, NPR 69L 01.1998/12.2001 61KW 82CV 3059CC - ISUZU N-SERIE (5TONELADAS GENERATION): NPR300 09.2008/»»» 110KW 150CV 5193CC		P1023 NO. 5473130041 - 9-31413-002-0 CAPA DE PEDAL TRAVAO/EMBRAIAGEM (GASTA 2 UNIDADES) ISUZU Pick Up 1982-1994 - ISUZU Soldado 1988-1991, 1998-2002 Veiculo 1999-2001
	135x120x45mm 1f-d67mm		90x55x13mm

ISUZU MIDI





	A1623 NO. 894226-970-0 APOIO BATENTE BRAÇO DE SUSPENSÃO FRENTE INFERIOR (GASTA 2 UNIDADES) ISUZU MIDI - ISUZU BUDDY WFR 1997/»»»		KF2327 NO. 94312678 KIT DE FOLE TRANSMISSÃO ISUZU MIDI Autocarro (94000, 98000): 2.0 (98000) 06.1988/08.1992 61KW 83CV 1995CC - ISUZU MIDI Autocarro (94000, 98000): 2.0 4WD (94000) 06.1988/08.1992 61KW 83CV 1995CC - ISUZU MIDI Autocarro (94000, 98000): 2.0 TD (98000) 01.1989/08.1992 51KW 69 CV 1995CC - ISUZU MIDI Autocarro (94000, 98000): 2.2 D (98000) 06.1988/08.1992 45KW 61CV 2189CC - ISUZU MIDI Autocarro (94000, 98000): 2.2 D 4WD (94000)...
	80x54x54mm 2p-d10-30mm		d86x84mm 1f-d76mm 1f-d22mm
	L1069 NO. 9-94226-805-0 CASQUILHO DE MOLAS DE TRÁS PARTE DA FRENTE (4 UNIDADES) ISUZU MIDI Autocarro (94000, 98000): 2.0 (98000) 06.1988/08.1992 61KW 83CV 1995CC - ISUZU MIDI Autocarro (94000, 98000): 2.0 4WD (94000) 06.1988/08.1992 61KW 83CV 1995CC - ISUZU MIDI Autocarro (94000, 98000): 2.0 TD (98000) 01.1989/08.1992 51KW 69CV 1995CC - ISUZU MIDI Autocarro (94000, 98000): 2.2 D (98000) 06.1988/08.1992 45KW 61CV 2189CC - ISUZU MIDI Autocarro (94000, 98000): 2.2 D 4WD (94000) ...		M6008 NO. 91137992 - 94236345 - 94329529 JUNTA DE ESCAPE ISUZU MIDI Autocarro (94000, 98000): 2.0 (98000) 06.1988/08.1992 61KW 83CV 1995CC - ISUZU MIDI Autocarro (94000, 98000): 2.2 D (98000) 06.1988/08.1992 45KW 61CV 2189CC - ISUZU MIDI Van (94000, 98000): 2.0 (98000) 06.1988/08.1992 61KW 83CV 1995CC - ISUZU MIDI Van (94000, 98000): 2.2 D (98000) 06.1988/08.1992 45KW 61CV 2189CC - ISUZU MIDI Caixa (98000N): 2.0 06.1988/08.1992 61KW 83CV 1995CC - ISUZU ...
	d56x38mm d49mm 1f-d18mm		d65x5mm 1f-d50mm
	M6089 NO. 22116003 - 91134529 - 94328353 JUNTA DE ESCAPE ISUZU MIDI (1988 A 1994) - TROOPER (1987 A 1992)		RT08697 NO. 8-94113-583-0 - 8-94227-189-1 - 94113583 TUBO DE TRAVÃO FRENTE LH - RH (GASTA 2 UNIDADES) ISUZU MIDI Autocarro (94000, 98000): 2.0 4WD (94000) 06.1988/08.1992 61KW 83CV 1995CC - ISUZU MIDI Autocarro (94000, 98000): 2.2 D (98000) 06.1988/08.1992 45KW 61CV 2189CC - ISUZU MIDI Autocarro (94000, 98000): 2.2 D 4WD (94000) 06.1988/08.1992 45KW 61CV 2189CC - ISUZU MIDI Van (94000, 98000): 2.0 4WD (94000) 06.1988/08.1992 61KW 83CV 1995CC - ISUZU MIDI Van (94000, 98000): 2.2 D (98000) 06.1988/0...
	108x68x1.5mm 1f-d58mm		545mm FB13 - OR13
	T0044 NO. BATENTE DA BARRA ESTABILIZADORA ISUZU MIDI		
	41x35x32mm 1f-16mm		


	<p>A0995 NO. 8-94119-958-0 - 8-94119-958-1 - 8-97254-387-0 - 8-97254-387-1 - 8-98335-039-0</p> <p>APOIO BATENTE DE MOLLA TRÁS (GASTA 4 UNIDADES)</p> <p>ISUZU ELF Camião de plataforma/chassis (NKR7_, NKS7_, NHR6_, NKR6_) NPR, NKR58, NQR71, NQR75 3.1 TD JAN98 - DEZ01 61KW 82CV 3059CC</p> <p>70x62x27mm 1p-d8-20mm</p>		<p>A1229 NO. 8-94155-652-1 - 8-94172-018-0 - 8-94172-018-1</p> <p>APOIO DE MOTOR LADO DIREITO</p> <p>ISUZU N (6th Generation) NKR 85EA, NLR 85AL, NLR 85L, NNR 85L, NPR 85G, NPR 85L desde 10.2006 110KW 150CV 2999CC 3 4x2 Plataforma/chassis 4JJ1-X 4JJ1-TC - ISUZU N (6th Generation) NMR 85L, NPR 85L desde 10.2006 110KW 150CV 2999CC 5 4x2 Plataforma/chassis 4JJ1-TC 4JJ1-X - ISUZU N (6th Generation) NPR 85L, NPR 85P, NMR 85L desde 10.2006 110KW 150CV 2999CC 6 4x2 Plataforma/chassis 4JJ1-X 4JJ1-TC</p> <p>123x94x50mm 1p-d12-25mm</p>
	<p>A1234 NO. 8-94155-653-1 - 8-94172-019-0 - 8-94172-019-1</p> <p>APOIO DE MOTOR LADO ESQUERDO</p> <p>ISUZU N (6th Generation) NKR 85EA, NLR 85AL, NLR 85L, NNR 85L, NPR 85G, NPR 85L desde 10.2006 110KW 150CV 2999CC 3 4x2 Plataforma/chassis 4JJ1-X 4JJ1-TC - ISUZU N (6th Generation) NMR 85L, NPR 85L desde 10.2006 110KW 150CV 2999CC 5 4x2 Plataforma/chassis 4JJ1-TC 4JJ1-X - ISUZU N (6th Generation) NPR 85L, NPR 85P, NMR 85L desde 10.2006 110KW 150CV 2999CC 6 4x2 Plataforma/chassis 4JJ1-X 4JJ1-TC</p> <p>123x94x50mm 1p-d12-25mm</p>		<p>A1238 NO. 5-37510-007-0 - 5-37516-005-0 - 5-37516-005-1</p> <p>APOIO DE TRANSMISSÃO SEM ROLAMENTO 40MM</p> <p>ISUZU N (5ª Geração) NKR 69S, NPR 69M, NPR 69L 01.1998/12.2001 61KW 82CV 3059CC 3 4x2 Plataforma/chassis</p> <p>135x120x45mm 1f-d67mm</p>
	<p>A1238-C NO. 5-37510-007-0 - 5-37516-005-0 - 5-37516-005-1</p> <p>APOIO DE TRANSMISSÃO COM ROLAMENTO 40MM</p> <p>ISUZU N-SERIE (5 TONELADAS GENERATION): NKR 69S, NPR 69M, NPR 69L 01.1998/12.2001 61KW 82CV 3059CC - ISUZU N-SERIE (5TONELADAS GENERATION): NPR300 09.2008/»» 110KW 150CV 5193CC</p> <p>135x120x80x45mm 1f-d40mm</p>		<p>A1238-C NO. 5-37510-007-0 - 5-37516-005-0 - 5-37516-005-1</p> <p>APOIO DE TRANSMISSÃO COM ROLAMENTO 40MM</p> <p>ISUZU N (5ª Geração) NKR 69S, NPR 69M, NPR 69L 01.1998/12.2001 61KW 82CV 3059CC 3 4x2 Plataforma/chassis</p> <p>135x120x80x45mm 1f-d40mm</p>
	<p>A1518 NO. 5-53366-003-0 - 8-94118-510-0 - 8-94118-510-3 - 8-94118-510-4 - 8-94118-510-5 - 8-94379-470-0 - 8-94...</p> <p>APOIO BATENTE DE MOLLA TRÁS (GASTA 2 UNIDADES)</p> <p>ISUZU 06.1990/01.1997 4.3 NPR66, NPR66L 4HF1 - ISUZU ELF - ISUZU NKR (4WH) - ISUZU NPR 100P, 600P, 700P - ISUZU NHK 115 - ISUZU NPR81, NPR81JNP 4.3, 4.6, 4.8 4HF1, 4HL1 - ISUZU NPR71, NPR71PU 4.6 4HG1, 4.6 4HG1-T 05.1995/04.1999 - ISUZU NPR72LJNP 5.0 4HJ1 04.1997/12.1997 - ISUZU NPS82L 5.0 4HJ1 05.1999/08-1999</p> <p>125x110x70mm 1p-d12-27mm</p>		<p>A1617 NO. 8-94150-265-1 - 8-94150-265-2 - 8-94150-265-3 - 8-97916-931-0</p> <p>APOIO BATENTE DE MOLLA FRENTE (GASTA 2 UNIDADES)</p> <p>ISUZU NHR55 (4JB1) 2,8 L JUL84/SET03 - ISUZU NHR69EU (4JG2) 3,1 L JAN03/»» - ISUZU NKR63 (4BE2) 3,6 L MAI93/JAN98 - ISUZU NKR66E2L (4HF1) 4,3 L ABR93/MAI99 - ISUZU NKR (4HF1) 4,3 L MAI93/MAI03 ISUZU NHR69C (4JG2) 3,1 L JUL93/ABR97 ISUZU NKR55E (4JB1) 2,8 L JAN84/MAI98 - ISUZU NKR58E (4BE1) 3,6 L JUL84/ABR99 - ISUZU NPR 120CV - ISUZU DUENDE - ISUZU ELF150 - ISUZU ELF250 - Isuzu Elf, NHR54, NHR54C...</p> <p>120x90x70mm</p>
	<p>A1700 NO. 8-94111-903-0 - 8-94111-903-1</p> <p>APOIO CAIXA VELOCIDADES (GASTA 2 UNIDADES)</p> <p>ISUZU NKR 95 (4JB1) - ISUZU ELF CAMIAO DE PLATAFORMA/CHASSIS (NKR8_, NKQ8_): 3.0 DI 10.2003/»» 96KW 131CV 2999CC - ISUZU NKR58E (4BE1) 3,6 L JUL84/ABR99 - ISUZU NKR69LAR (4JG2) 3,1 L JUL93/FEV07 - ISUZU NHR55 (4JB1) 2,8 L JUL84/SET03 - ISUZU NHR69EU (4JG2) 3,1 L JAN03/»» - ISUZU NKR63 (4BE2) 3,6 L MAI93/JAN98 - ISUZU NKR66E2L (4HF1) 4,3 L ABR93/MAI99 - ISUZU NKR (4HF1) 4,3 L MAI93/MAI03 - ISUZU ...</p> <p>80x38x50mm 2p-d10-21mm</p>		<p>A1700 NO. 8-94111-903-0 - 8-94111-903-1</p> <p>APOIO CAIXA VELOCIDADES (GASTA 2 UNIDADES)</p> <p>ISUZU NPR JAN88/»» - ISUZU NPR JAN88/DEZ09 - ISUZU NPR JAN94/JAN98 - ISUZU NPR (4JJ1) 3,0 L OUT07/»» - ISUZU NPR (4JJ1) 3,0 L JAN08/»» - ISUZU NPR57 3,3 L JUL84/MAI89 - ISUZU NPR58 3,6 L JAN87/JUN93 - ISUZU NPR59 3,9 L JUL84/JUN93 - ISUZU NPR61 4,3 L JUN88/ABR90 - ISUZU NPR66 4,3 L AGO90/ABR99 - ISUZU NPR (4HF1) 4,3 L MAI93/MAI03 - ISUZU NPR66 (4FH1) 4,3 L ABR95/MAI02 - ISUZU NPR70 4,8 L JUL93/...</p> <p>80x38x50mm 2p-d10-21mm</p>
	<p>A1701 NO. 8-94101-347-0 - 8-94101-347-1 - 8-94101-347-2 - 8-94101-347-3 - 8-94101-347-4 - 8-94142-043-2 - 8-9...</p> <p>APOIO BATENTE DE MOLLA FRENTE (GASTA 2 UNIDADES)</p> <p>ISUZU NKR 1993/2006</p> <p>95x85x80mm</p>		<p>A1701 NO. 8-94101-347-0 - 8-94101-347-1 - 8-94101-347-2 - 8-94101-347-3 - 8-94101-347-4 - 8-94142-043-2 - 8-9...</p> <p>APOIO BATENTE DE MOLLA FRENTE (GASTA 2 UNIDADES)</p> <p>ISUZU NPR75 1998/2004 - ISUZU NPR71 1991 - ISUZU NPR 1995 - ISUZU NPR 1997 - ISUZU NPR59</p> <p>95x85x80mm</p>
	<p>A1708 NO. 5-37510-008-0 - 5-37516-006-1 - 9-37516-006-0</p> <p>APOIO DE TRANSMISSÃO COM ROLAMENTO 32MM</p> <p>ISUZU N-SERIE (5 TONELADAS GENERATION): NKR 69S, NPR 69M, NPR 69L 01.1998/12.2001 61KW 82CV 3059CC - ISUZU NQR 2004/2016 - ISUZU NPR NPR-HD 2004/2016 - ISUZU NKR 1994/1998</p> <p>130x120x80mm 1f-d30mm</p>		<p>A1710 NO. 1-37516-030-0 - 5-37516-030-0 - 5-37516-030-1 - 9-37516030-0</p> <p>APOIO DE TRANSMISSÃO COM ROLAMENTO 32MM</p> <p>ISUZU NPR</p> <p>125x125x48mm 1f-d32mm</p>
	<p>A1973 NO. 8-97039277-0</p> <p>APOIO CAIXA VELOCIDADES (GASTA 2 UNIDADES)</p> <p>ISUZU NPR JAN88/»» - ISUZU NPR JAN88/DEZ09 - ISUZU NPR JAN94/JAN98 - ISUZU NPR (4JJ1) 3,0 L OUT07/»» - ISUZU NPR (4JJ1) 3,0 L JAN08/»» - ISUZU NPR57 3,3 L JUL84/MAI89 - ISUZU NPR58 3,6 L JAN87/JUN93 - ISUZU NPR59 3,9 L JUL84/JUN93 - ISUZU NPR61 4,3 L JUN88/ABR90 - ISUZU NPR66 4,3 L AGO90/ABR99 - ISUZU NPR (4HF1) 4,3 L MAI93/MAI03 - ISUZU NPR66 (4FH1) 4,3 L ABR95/MAI02 - ISUZU NPR70 4,8 L JUL93...</p> <p>85x50x50mm 2p-d10x20mm</p>		<p>A2238 NO. 8-97070703-1 - 8-97080-621-0 - 8-97122892-0 - 8-97122892-1</p> <p>APOIO DE MOTOR ESQUERDO</p> <p>ISUZU CAMIAO DE PLATAFORMA/CHASSIS NKR8_,NKQ8_ 3.0 DI OUT/03/»» 96KW 131CV 2999CC</p> <p>205x78x120mm 1f-17x11mm 1r-d8mm 1p-d11x24mm</p>

	<p>A2239 NO. 8-97070702-1 - 8-97080-620-0 - 8-97122890-0 - 8-97122890-1</p> <p>APOIO DE MOTOR DIREITO</p> <p>ISUZU CAMIAO DE PLATAFORMA/CHASSIS NKR8_ NKR8_) 3.0 DI OUT/03/»» 96KW 131CV 2999CC</p> <p>205x78x120mm 1f-17x11mm 1r-d8mm 1p-d11x24mm</p>		<p>KM0409 NO. 8-97360-011-0 - 8941185124</p> <p>KIT BRINCOS DE MOLA FRENTE E TRAS PARA SILENT-BLOC S1061 (GASTA 8 UNIDADES)</p> <p>ISUZU NPR75 - ISUZU NQR71 - ISUZU NQR75 - ISUZU NQR90 - ISUZU NMR85</p> <p>150x60x7mm 1p-d16-115mm</p>
	<p>KM0410 NO. 8941185111 - 8941185112 - 8941185113 - 8941185124K - 97360011</p> <p>KIT BRINCOS DE MOLA FRENTE E TRAS PARA SILENT-BLOC S1061 (GASTA 4 UNIDADES)</p> <p>ISUZU NPR75 - ISUZU NQR71 - ISUZU NQR75 - ISUZU NQR90 - ISUZU NMR85</p> <p>150x100x60mm 2p-d16-20mm</p>		<p>L0012-FR NO. 8-94113-314-2C - 8-94120-021-0</p> <p>CASQUILHO DE FERRO EXTERIOR DO L1037 (GASTA 8 UNIDADES)</p> <p>ISUZU ELF CAMIAO DE PLATAFORMA/CHASSIS (NKR7_ NKS7_ NHR6_ NKR6_) : 3.1 TD 01.1998/12.2001 61KW 82CV 3059CC</p> <p>d56x30mm d43mm 1f-d40mm</p>
	<p>L0012-FR NO. 8-94113-314-2C - 8-94120-021-0</p> <p>CASQUILHO DE FERRO EXTERIOR DO L1037 (GASTA 8 UNIDADES)</p> <p>ISUZU ELF Camião de plataforma/chassis (NKR7_ NKS7_ NHR6_ NKR6_) : 3,1 TD 01.1998/12.2001 61KW 82CV 3059CC</p> <p>d56x30mm d43mm 1f-d40mm</p>		<p>L0014 NO. 5-86107-488-0 - 8-94132-727-0 - 8-94132-727-1 - 8-94146-148-0</p> <p>CASQUILHO AMORTECEDOR DIAMETRO 16MM (GASTA 16 UNIDADES)</p> <p>ISUZU NHS55E (4JB1) 2,8 L JAN91/JUL93 - ISUZU NNR85U (4JB1-T) 3,0 L DEZ06/»» - ISUZU NPR85N (4JJ1) 3,0 L DEZ06/»» - ISUZU NHR (4JJ1-T) 3,0 L JAN07/»» - ISUZU NHR85AU (4JJ1-T) 3,0 L JAN08/»» - ISUZU NKR69LAR (4JG2) 3,1 L JUL93/FEV07 - ISUZU NHR69EU (4JG2) 3,1 L JAN03/»» - ISUZU NH_69 (4JG2) 3,1 L AGO03/DEZ06 - ISUZU NKS58GR (4BE1) 3,6 L SET87/MAI95 - ISUZU NKR66E2L (4HF1) 4,3 L ABR93/MAI99 - ...</p> <p>d30x19mm d26mm 1f-d16mm</p>
	<p>L0014-A NO. 5-86107-488-0 - 8-94132-727-0 - 8-94132-727-1 - 8-94146-148-0</p> <p>CASQUILHO AMORTECEDOR DIAMETRO 16MM (GASTA 16 UNIDADES)</p> <p>ISUZU NHS55E (4JB1) 2,8 L JAN91/JUL93 - ISUZU NNR85U (4JB1-T) 3,0 L DEZ06/»» - ISUZU NPR85N (4JJ1) 3,0 L DEZ06/»» - ISUZU NHR (4JJ1-T) 3,0 L JAN07/»» - ISUZU NHR85AU (4JJ1-T) 3,0 L JAN08/»» - ISUZU NKR69LAR (4JG2) 3,1 L JUL93/FEV07 - ISUZU NHR69EU (4JG2) 3,1 L JAN03/»» - ISUZU NH_69 (4JG2) 3,1 L AGO03/DEZ06 - ISUZU NKS58GR (4BE1) 3,6 L SET87/MAI95 - ISUZU NKR66E2L (4HF1) 4,3 L ABR93/MAI99 - ...</p> <p>d30x19mm d26mm 1f-d11mm</p>		<p>L1012 NO. 5-51151-007-0</p> <p>CASQUILHO DE MOLAS DE TRÁS PARTE DE TRÁS (8 UNIDADES)</p> <p>ISUZU P/UP KBD 25 1976/»» - ISUZU P/UP KBD26 1976/»» - ISUZU P/UP KBD27 1976/»» - ISUZU P/UP KBD47</p> <p>d36x37mm d30mm 1f-d18mm</p>
	<p>L1037 NO. 8-94113-314-2 - 8-94113-314-3 - 8-97081-531-0</p> <p>CASQUILHO DE MOLAS DE TRAS E FRENTE (GASTA 24 UNIDADES)</p> <p>ISUZU ELF CAMIAO DE PLATAFORMA/CHASSIS (NKR7_ NKS7_ NHR6_ NKR6_) : 3.1 TD 01.1998/12.2001 61KW 82CV 3059CC</p> <p>d46x40mm d40mm 1f-d22mm</p>		<p>L3087 NO. 8-94113-314-2 - 8-94113-323-2 - 8-94113314-0</p> <p>CASQUILHO DE MOLAS DE TRAS (GASTA 12 UNIDADES)</p> <p>ISUZU N-Serie (5th Generation): NKR 85EA, NLR 85AL, NLR 85L, NNR 85L, NPR 85G, NPR 85L 10.2006/»» » 110KW 150CV 2999CC - ISUZU N-Serie (5th Generation): NMR 85L, NPR 85L 10.2006/»» » 110KW 150CV 2999CC</p> <p>d46x46mm d40mm 1f-d22mm</p>
	<p>P1035 NO. 8-94117-838-0</p> <p>CAPA DE PEDAL TRAVAO/EMBRAIAGEM (GASTA 2 UNIDADES)</p> <p>ISUZU NKR TRUCK 1999/2016 - ISUZU NPR TRUCK 1999/2016 - ISUZU NPR-HD TRUCK 1999/2016</p> <p>73x56x10mm</p>		<p>R8106 NO.</p> <p>TUBO DO FILTRO DO AR</p> <p>ISUZU JCM - NPR</p> <p>B95-d93/82mm</p>
	<p>R8110 NO. 8-94340-391-0 - 8942585970</p> <p>TUBO SUPERIOR DO RADIADOR</p> <p>ISUZU NKR - ISUZU NPR59 COM MOTOR 4BD1 E 4BE1</p> <p>B200-d40-d36mm 115-120mm</p>		<p>R8111 NO. 8942493700</p> <p>TUBO INFERIOR DO RADIADOR</p> <p>ISUZU NKR - ISUZU NPR59 COM MOTOR 4BD1 E 4BE1</p> <p>B440-d42-d36mm 160-350-100mm</p>
	<p>R8122 NO. 8-97022-567-0</p> <p>TUBO DO FILTRO DE AR</p> <p>ISUZU NPR59 115HP 3.6L 1989 - ISUZU NPR59 3.6L 115HP 4BE1 3.6L 4BD1 - ISUZU NPR59 3.9L 115HP</p> <p>B230-d64/64mm 180-130mm</p>		<p>S1061 NO. 8-94118-588-0 - 8-94118-588-1 - 8-97184-699-0 - 8-97184-699-1</p> <p>SILENT-BLOC DE MOLAS DA FRENTE E TRAS (GASTA 16 UNIDADES)</p> <p>ISUZU ELF Camião de plataforma/chassis (NKR7_ NKS7_ NHR6_ NKR6_) : 3.1 TD 01.1998/12.2001 61KW 82CV 3059CC - ISUZU ELF Camião de plataforma/chassis (NKR7_ NKS7_ NHR6_ NKR6_) : 3.1 TD 01.1998/12.2001 61KW 82CV 3059CC - ISUZU ELF Camião de plataforma/chassis (NKR7_ NKS7_ NHR6_ NKR6_) : 3.1 TD 01.1998/12.2001 61KW 82CV 3059CC - ISUZU ELF Camião de plataforma/chassis (NKR7_ NKS7_ NHR6_ NKR6_) : 3....</p> <p>d52x42mm d40mm 1f-d16mm</p>

	<p>S1061-B NO. 8-94118-588-0 - 8-94118-588-1 - 8-97184-699-0 - 8-97184-699-1</p> <p>SILENT-BLOC DE MOLAS DA FRENTE E TRAS (GASTA 16 UNIDADES)</p> <p>ISUZU ELF Camião de plataforma/chassis (NKR7_, NKS7_, NHR6_, NKR6_ : 3.1 TD 01.1998/12.2001 61KW 82CV 3059CC - ISUZU ELF Camião de plataforma/chassis (NKR7_, NKS7_, NHR6_, NKR6_ : 3.1 TD 01.1998/12.2001 61KW 82CV 3059CC - ISUZU ELF Camião de plataforma/chassis (NKR7_, NKS7_, NHR6_, NKR6_ : 3.1 TD 01.1998/12.2001 61KW 82CV 3059CC - ISUZU ELF Camião de plataforma/chassis (NKR7_, NKS7_, NHR6_, NKR6_ : 3....</p> <p>d52x42mm d40mm 1f-d16mm</p>		<p>S1065 NO. 8-94130-354-0 - 8-97081-586-0 - 8-97227-996-0 - 9-51351-029-0 - 9-51351-029-1</p> <p>SILENT-BLOC DAS MOLAS DE TRÁS E FRENTE PARTE DA FRENTE (GASTA 4 UNIDADES)</p> <p>ISUZU N-SERIE (5TH GENERATION): NKR 69S, NPR 69M, NPR 69L 01.1998/12.2001 61KW 82CV 3059CC</p> <p>d42x82mm c72mm 1f-d16mm</p>
	<p>S1065-B NO. 8-94130-354-0 - 8-97081-586-0 - 8-97227-996-0 - 9-51351-029-0 - 9-51351-029-1 - BP10652920016</p> <p>SILENT-BLOC DAS MOLAS DE TRÁS E FRENTE PARTE DA FRENTE (GASTA 4 UNIDADES)</p> <p>ISUZU N-SERIE (5TH GENERATION): NKR 69S, NPR 69M, NPR 69L 01.1998/12.2001 61KW 82CV 3059CC - ISUZU ELF Camião de plataforma/chassis (NKR7_, NKS7_, NHR6_, NKR6_ : 3.1 TD 01.1998/12.2001 61KW 82CV 3059CC - ISUZU ELF Camião de plataforma/chassis (NKR8_, NKQ8_): 3.0 Di 10.2003/»» 96KW 131CV 2999CV - ISUZU ELF Camião de plataforma/chassis (NKR8_, NKQ8_): 3.0 Di 10.2003/»» 96KW 131CV 2999CV</p> <p>d42x82mm c72mm 1f-d16mm</p>		<p>S1318 NO. 8-94130-354-0 - 8-94130-354-1 - 8-97081-586-0 - 9-51351-029-0 - 9-51351-029-1 - BP10652920016</p> <p>SILENT-BLOC DAS MOLAS DE TRÁS E FRENTE PARTE DA FRENTE (GASTA 4 UNIDADES)</p> <p>ISUZU N-SERIE (5TH GENERATION): NKR 69S, NPR 69M, NPR 69L 01.1998/12.2001 61KW 82CV 3059CC</p> <p>d42x80mm c71mm 1f-d16mm</p>
	<p>S1399 NO. 48830M70F00 - 8-97074-826-0</p> <p>SILENT-BLOC DE MOLAS DE TRÁS PARTE DA FRENTE (GASTA 4 UNIDADES)</p> <p>ISUZU NKR55 (4JB1) RODADO DUPLO ABR95/MAI01 - ISUZU NKR69 (4JG2) RODADO DUPLO ABR95/MAI01 - ISUZU NKR77 (4JH1) RODADO DUPLO JUN01/JUN05 - ISUZU NKR77 (4JH1) RODADO DUPLO JUN05/DEZ07 - ISUZU NKR85 (4JJ1) RODADO DUPLO JUL06/DEZ07</p> <p>d42x81mm c72mm 1f-d18mm</p>		<p>S1399 NO. 48830M70F00 - 8-97074-826-0</p> <p>SILENT-BLOC DE MOLAS DE TRÁS PARTE DA FRENTE (GASTA 4 UNIDADES)</p> <p>ISUZU NPR65 (4BD2) ABR95/MAI01 - ISUZU NPR70 (4HE1) JUN98/JUN02 - ISUZU NPR75 (4HK1) 7,5 TONELADAS JAN08/DEZ13 - ISUZU NPR75 (4HK1) 7,5 TONELADAS DEZ13/»» - ISUZU NPR77 (4JH1) JUN01/JUN05 - ISUZU NPR77 (4JH1) JNH05/DEZ07 - ISUZU NPR85 (4JJ1) 6,5 TONELADAS JAN08/DEZ13 - ISUZU NPR85 (4JJ1) 7,5 TONELADAS DEZ13/»»</p> <p>d42x81mm c72mm 1f-d18mm</p>
	<p>S1399 NO. 48830M70F00 - 8-97074-826-0</p> <p>SILENT-BLOC DE MOLAS DE TRÁS PARTE DA FRENTE (GASTA 4 UNIDADES)</p> <p>ISUZU NLR85 (4JJ1) RODADO DUPLO 3,5 TONELADAS JAN08/DEZ13 - ISUZU NLK85 (4JJ1) 3,5 TONELADAS DEZ13/»» - ISUZU NLR87 (RZ4E) 3,5 TONELADAS FEV17/»»</p> <p>d42x81mm c72mm 1f-d18mm</p>		<p>S1399 NO. 48830M70F00 - 8-97074-826-0</p> <p>SILENT-BLOC DE MOLAS DE TRÁS PARTE DA FRENTE (GASTA 4 UNIDADES)</p> <p>ISUZU NMR85 (4JJ1) RODADO SIMPLES 5,5 TONELADAS JAN08/DEZ13 - ISUZU NMR85 (4JJ1) 5,5 TONELADAS DEZ13/»»</p> <p>d42x81mm c72mm 1f-d18mm</p>
	<p>S1399 NO. 48830M70F00 - 8-97074-826-0</p> <p>SILENT-BLOC DE MOLAS DE TRÁS PARTE DA FRENTE (GASTA 4 UNIDADES)</p> <p>ISUZU NQR70 (4HE1) FEV99/JUN05 - ISUZU NQR75 (4HK1) 150CV JUN05/DEZ07 - ISUZU NQR75 (4HK1) 175CV JUN05/DEZ07 - ISUZU NQR75 (4HK1) 190CV JUL06/DEZ07 - ISUZU ELF CAMIAO DE PLATAFORMA/CHASSIS NKR8_, NKQ8 (4JH1-TC) 3.0 Di 10/2003 96KW 131CV 2999CC DIESEL 4 CILINDROS</p> <p>d42x81mm c72mm 1f-d18mm</p>		<p>S1625 NO. 8971883690</p> <p>SILENT-BLOC DO BRAÇO DA SUSPENSÃO SUPERIOR (4 UNIDADES)</p> <p>ISUZU ELF NLR/NMR 55.85 LHD 2008/»»</p> <p>d58x45mm c31mm d47mm 1f-d22mm</p>
	<p>S1625 NO. 8971883690</p> <p>SILENT-BLOC DO BRAÇO DA SUSPENSÃO SUPERIOR (4 UNIDADES)</p> <p>ISUZU ELF CAMIAO DE PLATAFORMA/CHASSIS (NKR8_, NKQ8): 3.0 Di 10/2003/»» 96KW 131CV 2999CC</p> <p>d58x45mm c31mm d47mm 1f-d22mm</p>		<p>S1738 NO. 8-94336-509-0 - 8-94336-509-1</p> <p>SILENT-BLOC DO BRAÇO DA SUSPENSÃO INFERIOR (GASTA 2 UNIDADES)</p> <p>ISUZU ELF Camião de plataforma/chassis (NKR8_, NKQ8_): 3.0 Di 10.2003/»» 96KW 131CV 2999CC</p> <p>d68x89mm c71mm d54mm 1f-d22mm</p>
	<p>S1738 NO. 8-94336-509-0 - 8-94336-509-1</p> <p>SILENT-BLOC DO BRAÇO DA SUSPENSÃO INFERIOR (GASTA 2 UNIDADES)</p> <p>ISUZU ELF Camião de plataforma/chassis (NKR7_, NKS7_, NHR6_, NKR6_ : 3.1 TD 01.1998/12.2001 61KW 82CV 3059CC - ISUZU ELF Camião de plataforma/chassis (NKR7_, NKS7_, NHR6_, NKR6_ : 3.1 TD 01.1998/12.2001 61KW 82CV 3059CC</p> <p>d68x89mm c71mm d54mm 1f-d22mm</p>		

	<p>A1227 NO. 5-53215-023-1 - 5-53215-030-0 - 9-53215-602-0</p> <p>APOIO DE MOTOR</p> <p>ISUZU (TLD12)</p> <p>121x98x40mm 1p-d12-27mm</p>		<p>A1228 NO. 9-53215-612-2</p> <p>APOIO DE MOTOR ESQUERDO</p> <p>ISUZU ELF (TLD24) - ISUZU TLD54 BISON</p> <p>120x108x50mm 1p-d12-25mm</p>
	<p>A1240 NO. 9-37516-030-0</p> <p>APOIO DE TRANSMISSÃO</p> <p>ISUZU TLD 54</p> <p>120x115x40mm 1f-d76mm</p>		<p>A1373 NO. 8-942239-3 - 8-94459-452-2</p> <p>APOIO BATENTE DE MOLA TRÁS (GASTA 2 UNIDADES)</p> <p>ISUZU D-MAX I (TFR, TFS) 2.5 DiTD 4x4 (TFS54) 05.2002/06.2012 74KW 101CV 2499CC 4JA1-TC - ISUZU D-MAX I (TFR, TFS) 2.5 DiTD 4x4 (TFS86_) 01.2007/06.2012 100KW 136CV 2499CC 4JK1-TC 7115AAB 7115AAE - ISUZU D-MAX I (TFR, TFS) 3.0 DiTD 4x4 (TFS77H) 05.2002/06.2012 96KW 131CV 2999CC 4JH1-TC</p> <p>150x75x65mm</p>
	<p>A1496 NO. 1-37516006-0 - 9-37516-006-1</p> <p>APOIO DE TRANSMISSÃO COM ROLAMENTO 45MM</p> <p>ISUZU TLD (6BB1, 6BD1) -ISUZU JCM - ISUZU TXD74</p> <p>117x130x75mm 1f-d44mm</p>		<p>A1543 NO. 8-94334-159-0 - 8-94434-207-1 - 8-94482-408-0 - 8-97976-331-0</p> <p>APOIO DE MOTOR ESQUERDO</p> <p>ISUZU TFR54 55 4J - ISUZU P/UP TFR 2500CC DI (4AJ1) 1990/2004 - ISUZU CAMPO 2WD</p> <p>180x120x60mm 2p-10-25mm</p>
	<p>A1544 NO. 8-94334-158-0 - 8-94434-206-1 - 8-94482-407-0</p> <p>APOIO DE MOTOR DIREITO</p> <p>ISUZU TFR54 55 4J - ISUZU P/UP TFR 2500CC DI (4AJ1) 1990/2004 - ISUZU CAMPO 2WD</p> <p>190x125x60mm 2p-d10-25mm</p>		<p>A1661 NO. 8-94472-973-0 - 91140203</p> <p>APOIO MOTOR TRAS CAIXA VELOCIDADES</p> <p>ISUZU TFR 2500 Di 4WD</p> <p>195x90x68mm 2p-d10-27mm</p>
	<p>A1710 NO. 1-37516-030-0 - 5-37516-030-0 - 5-37516-030-1 - 9-37516030-0</p> <p>APOIO DE TRANSMISSÃO COM ROLAMENTO 32MM</p> <p>ISUZU TLD32 - ISUZU TLD52 - ISUZU TLD55</p> <p>125x125x48mm 1f-d32mm</p>		<p>A1967 NO. 8-94482406-0</p> <p>APOIO MOTOR ESQUERDO</p> <p>ISUZU P/UP TFR 4WD 1988/1995</p> <p>180x120x60mm 1p-d12x25mm 2f-15x12mm</p>
	<p>A1968 NO. 8-94482405-0</p> <p>APOIO MOTOR DIREITO</p> <p>ISUZU P/UP TFR 4WD 1988/1995</p> <p>180x120x60mm 1p-d12x25mm 2f-15x12mm</p>		<p>A1991 NO. 8-97911266-0</p> <p>APOIO CAIXA VELOCIDADES (GASTA 2 UNIDADES)</p> <p>ISUZU P/UP TFR 2800CC 1997/»»» - ISUZU P/UP TFR 4WD 1997/»»»</p> <p>165x85x60mm 2p-d10x27mm 2f-d10mm</p>
	<p>A1994 NO. 8-981933626-0</p> <p>APOIO CAIXA VELOCIDADES</p> <p>ISUZU D-MAX II (TFR, TFS): 2.5 CRDi (TFR86J) 06.2012/»»» 120KW 163CV 2499CC - ISUZU D-MAX II (TFR, TFS): 2.5 CRDi 4x4 (TFS86J) 06.2012/»»» 120KW 163CV 2499CC</p> <p>160x75x55mm 2p-d10x23mm 2f-d12mm</p>		<p>A1995 NO. 8-98193345-0</p> <p>APOIO CAIXA VELOCIDADES</p> <p>ISUZU D-MAX II (TFR, TFS): 2.5 CRDi (TFR86J) 06.2012/»»» 120KW 163CV 2499CC - ISUZU D-MAX II (TFR, TFS): 2.5 CRDi 4x4 (TFS86J) 06.2012/»»» 120KW 163CV 2499CC - ISUZU D-MAX II (TFR, TFS) 2.5 CRDi (TFR86) 4WD MOTOR (4JJ1) - (TFR, TFS) 2.5 CRDi 4X4 (TFS86_) 4WD MOTOR (4JJ1)</p> <p>160x75x60mm 2p-d12x25mm 4f-d8mm</p>
	<p>A1996 NO. 8-98193346-0</p> <p>APOIO CAIXA VELOCIDADES</p> <p>ISUZU D-MAX II (TFR, TFS): 2.5 CRDi (TFR86J) 06.2012/»»» 120KW 163CV 2499CC - ISUZU D-MAX II (TFR, TFS): 2.5 CRDi 4x4 (TFS86J) 06.2012/»»» 120KW 163CV 2499CC - ISUZU D-MAX II (TFR, TFS) 2.5 CRDi (TFR86_) 4WD MOTOR (4JJ1) - (TFR, TFS) 2.5 CRDi 4X4 (TFS86_) 4WD MOTOR (4JJ1)</p> <p>160x75x60mm 2p-d12x25mm 2f-d10mm</p>		<p>A1997 NO. 8-98193344-0</p> <p>APOIO CAIXA VELOCIDADES</p> <p>ISUZU D-MAX II (TFR, TFS): 2.5 CRDi (TFR86J) 06.2012/»»» 120KW 163CV 2499CC - ISUZU D-MAX II (TFR, TFS): 2.5 CRDi 4x4 (TFS86J) 06.2012/»»» 120KW 163CV 2499CC - ISUZU D-MAX II (TFR, TFS) 2.5 CRDi (TFR86_) 4WD MOTOR (4JK1) - (TFR, TFS) 2.5 CRDi 4X4 (TFS86_) 4WD MOTOR (4JK1)</p> <p>160x75x60mm 2p-d12x25mm 2f-d10mm</p>

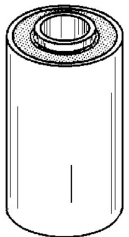




	<p>A2009 NO. 8-97039-190-2 - 8-97039-190-3 - 8-97086-076-1 - 8-97910-967-0 - 8-97916-331-0 - 8-97941-907-0 - 9116...</p> <p>APOIO DE MOTOR ESQUERDO</p> <p>ISUZU P/UP TFR 2800CC TURBO 1997/»» - ISUZU P/UP TFR 2800CC 4WD 2001/»» - ISUZU P/UP TFR (4JB1) 1991/2002 - ISUZU P/UP BRAVA TFR 2800 TD 1997/2002</p> <p>114x60x56x142x47mm 2f-15x11mm 2p-d10x25mm</p>		<p>A2010 NO. 8-97039-189-3 - 8-97910-966-0 - 8-97916-330-0</p> <p>APOIO DE MOTOR DIREITO</p> <p>ISUZU P/UP TFR 2800CC TURBO 1997/»» - ISUZU P/UP TFR 2800CC 4WD 2001/»» - ISUZU P/UP TFR (4JB1) 1991/2002 - ISUZU P/UP BRAVA TFR 2800 TD 1997/2002</p> <p>113x60x55x143x48mm 2f-15x11mm 2p-d10x25mm</p>
	<p>A2020 NO. 8-97235-925-0 - 8-97235-925-1</p> <p>APOIO BATENTE DE MOLA TRÁS (GASTA 2 UNIDADES)</p> <p>ISUZU D-MAX II (TFR, TFS): 2,5 CRDI 4X4 (TFS86J) 1020KW 163CV 2499CC - ISUZU D-MAX (8DH) 2.5 DITD 4x4 Pick-up 05-2002/»» 101CV 2499CC - ISUZU D-MAX (8DH) 3.0 DITD 4x4 Pick-up 2002/»» 131CV 2999CC</p> <p>151x66x89mm 2f-d11mm</p>		<p>A2647 NO. 8-97911-083-0</p> <p>APOIO BATENTE BRAÇO DE SUSPENSÃO FRENTE SUPERIOR ESQUERDO</p> <p>ISUZU TFR 4WD</p> <p>136x83x59mm 2f-d12mm</p>
	<p>A2648 NO. 8-97911-084-0</p> <p>APOIO BATENTE BRAÇO DE SUSPENSÃO FRENTE INFERIOR DIREITO</p> <p>ISUZU TFR 4WD</p> <p>136x113x60mm 2f-d12mm</p>		<p>A2648 NO. 8-97911-084-0</p> <p>APOIO BATENTE BRAÇO DE SUSPENSÃO FRENTE INFERIOR DIREITO</p> <p>ISUZU RODEO</p> <p>136x113x60mm 2f-d12mm</p>
	<p>D0032-C NO. 8-94223107-0</p> <p>CARDAN DIREÇÃO D70X16MM COMPLETO</p> <p>ISUZU P/UP TFR / TFS 1997 TF_ [1988-2002] 2771CC 101HP 74KW (Diesel) - ISUZU P/UP TFR / TFS 1997 TF_ [1988-2002] 2.3 2254CC 150HP 110KW (gasolina) - ISUZU P/UP TFR / TFS 1996 TF_ [1988-2002] 2771CC 101HP 74KW (Diesel) - ISUZU P/UP TFR / TFS 1996 TF_ [1988-2002] 2.3 2254CC 150HP 110KW (gasolina) - ISUZU P/UP TFR / TFS 1995 TF_ [1988-2002] 2771CC 101HP 74KW (Diesel) - ISUZU P/UP TFR / TFS 1995 TF_ [...]</p> <p>d70x16mm 6p-d8mm</p>		<p>KL3068 NO. 8-944-33-672-0K - 8-94433-672-0</p> <p>KIT CASQUILHOS DE ESTICADOR DE SUSPENSÃO (GASTA 2 UNIDADES)</p> <p>ISUZU P/UP TFR TFR69HDK (4JG2) JAN88/JAN03 3,1 L - ISUZU P/UP TFR2 1999/2002 - ISUZU P/UP TFS 1999/2002</p> <p>d54x30mm d62x7mm d22x59mm 1f-d18mm 1f-d18mm</p>
	<p>KM0426 NO. 8-94438-834-0K</p> <p>KIT BRINCOS DE MOLAS TRÁS PARTE DA FRENTE (GASTA 2 UNIDADES)</p> <p>ISUZU TFR</p> <p>117x26x24mm d14mm 1p-d14-17mm</p>		<p>L3068 NO. 8944336720</p> <p>CASQUILHO DO ESTICADOR DA SUSPENSÃO (GASTA 4 UNIDADES)</p> <p>ISUZU P/UP TFR TFR69HDK (4JG2) JAN88/JAN03 3,1 L - ISUZU P/UP TFR2 1999/2002 - ISUZU P/UP TFS 1999/2002</p> <p>d53x31mm d39mm 1f-d22mm</p>
	<p>R8107 NO. 8-94320-727-1</p> <p>TUBO FILTRO DE AR</p> <p>ISUZU P/UP TFR54 (4JA1) 2500CC 1998/»» - ISUZU P/UP TFS (4JA1) 1998/»»</p> <p>B410-d82/62mm 210-130-110mm</p>		<p>S1011 NO. 9-51151-023-0 - 9-51151-023-1 - 9-51151-036-0</p> <p>SILENT-BLOC DE MOLAS DA FRENTE (GASTA 4 UNIDADES)</p> <p>ISUZU TLD12 - ISUZU TLD32 - ISUZU TLD23 - ISUZU TLD33 - ISUZU TLD24 - ISUZU KA20 - ISUZU KAG41 - ISUZU KAD41</p> <p>d38x68mm c61mm 1f-d16mm</p>
	<p>S1011-B NO. 9-51151-023-0 - 9-51151-023-1 - 9-51151-036-0</p> <p>SILENT-BLOC DE MOLAS DA FRENTE (GASTA 4 UNIDADES)</p> <p>ISUZU TLD12 - ISUZU TLD32 - ISUZU TLD23 - ISUZU TLD33 - ISUZU TLD24 - ISUZU KA20 - ISUZU KAG41 - ISUZU KAD41</p> <p>d38x68mm c61mm 1f-d16mm</p>		<p>S1244 NO. 0310400 - 29041-40K00 - 8-94408-840-0 - 8-94408-840-1 - 8-94408-840-2 - 8-94408-840-3 - 8-94408-840-...</p> <p>SILENT-BLOC DO BRAÇO DA SUSPENSÃO SUPERIOR (GASTA 4 UNIDADES)</p> <p>ISUZU TFR 2500 Di - TFR 4WD</p> <p>d50x45mm c33mm d38mm 1f-d18mm</p>
	<p>S1316 NO. 0310402 - 0352456 - 29040-50K00 - 29043-70K00 - 45503-87706 - 8-94408-842-0 - 8-97018-165-1 - 8-9701-...</p> <p>SILENT-BLOC DO BRAÇO DA SUSPENSÃO INFERIOR (GASTA 2 UNIDADES)</p> <p>ISUZU TFR 4WD PICKUP: 2.5 TD 06.1992/08.1996 62KW 84CV 2499CC</p> <p>d44x85mm c76mm 1f-d18mm</p>		<p>S1317 NO. 352455 - 8-94408-841-1 - 94408841</p> <p>SILENT-BLOC DO BRAÇO DA SUSPENSÃO INFERIOR (GASTA 2 UNIDADES)</p> <p>ISUZU TFR 4WD</p> <p>d42x56mm d36mm 1f-d16mm</p>

	S1319	NO. 54040-HA000 - 55020-EB300 - 55045-3S560 - 55045-EB71A - 8-94171-274-1 - 90080-38152 - 90389-14004 -	
	SILENT-BLOC DE MÓLAS DE TRAS PARTE DA FRENTE (GASTA 2 UNIDADES) ISUZU TFR 2500DI		
	d40x68mm	c60mm 1f-d14mm	

ISUZU TROOPER

	A1237	NO. 1-08900-039-0 - 8-94202521-0 - 8-942045211 - 8-94222-972-0		A1422	NO. 8-97039-190-2 - 8-97039-190-3 - 8-97086-076-1 - 8-97910-967-0 - 8-97941-907-0 - 91162338 - 97149837
	APOIO DE TRANSMISSÃO COM ROLAMENTO 25MM ISUZU TROOPER			APOIO DE MOTOR ESQUERDO ISUZU TROOPER (4JG) 4WD 2800CC - ISUZU DRAGON POWER 4WD - ISUZU TROOPER (4JR) 4WD	
	135x120x60mm	1f-d25mm		142x120x95mm	2p-d10-25mm
	A1425	NO. 8-97039-189-2 - 8-97039-189-3 - 8-97910-966-0 - 91162337 - 97149836		A1494	NO. 8-94328-799-0 - 8-94386-854-0
	APOIO DE MOTOR DIREITO ISUZU TROOPER (4JG) 4WD 2800CC - ISUZU DRAGON POWER 4WD - ISUZU TROOPER (4JR) 4WD			APOIO DE TRANSMISSÃO COM ROLAMENTO 30MM ISUZU TROOPER I (UBS) : 2.8 TD (UBS55) 10.1987/12.1991 71KW 97CV 2771CC - ISUZU TROOPER I (UBS) : 2.8 TD (UBS55) 10.1988/12.1991 78KW 106CV 2771CC - ISUZU TROOPER I Veículo todo terreno aberto (UBS) : 2.3 (UBS16) 11.1985/12.1991 66KW 90CV 2254CC - ISUZU TROOPER I Veículo todo terreno aberto (UBS) : 2.6 i (UBS17) 10.1987/12.1991 85KW 116CV 2559CC - ISUZU TROOPER I Veículo todo terreno aberto (UBS) : 2.2...	
	142-120-55mm	2p-d10-25mm		135x115x50mm	1f-d30mm
	A1495	NO. 8-94328-800-0 - 8-97025-752-0		A1661	NO. 8-94472-973-0 - 91140203
	APOIO DE TRANSMISSÃO COM ROLAMENTO 30MM ISUZU TROOPER D - ISUZU RODEO 2WD 1989/» » » - ISUZU RODEO 2.6 - ISUZU RODEO 2.2D - ISUZU RODEO 2.8D			APOIO MOTOR TRAS CAIXA VELOCIDADES ISUZU TROOPER I (UBS) : 2.2 D 4WD 05.1984/12.1989 39KW 53CV 2238CC - ISUZU TROOPER I Veículo todo terreno aberto (UBS) : 2.3 (UBS16) 11.1985/12.1991 66KW 90CV 2254CC - ISUZU TROOPER I Veículo todo terreno aberto (UBS) : 2.2 D 4x4 05.1984/07.1989 39KW 53CV 2238CC - ISUZU TROOPER II (UB) : 3.2 08.1991/07.1998 130KW 177CV 3165CC - ISUZU TROOPER II Veículo todo terreno aberto (UB) : 3.2 08.1991/07.1998 1...	
	160x115x48mm	1f-d30mm		195x90x68mm	2p-d10-27mm
	A1667	NO. 682574 - 8-94422-867-2 - 8-94482-405-2 - 8-94482405-0 - 8-97066-800-0 - 91140202 - 684820 - 0684820 ...		A1668	NO. 4301093 - 8-94325597-2 - 8-94422-868-2 - 8-94482-406-2 - 8-97066-799-0 - 91140203 - 94325597 - 684820
	APOIO DE MOTOR DIREITO ISUZU TROOPER I Veículo todo terreno aberto (UBS) BIGHORN 2.3 (UBS16) 11.1985/12.1991 66KW 90CV 2254CC 4ZD1 7115300 - ISUZU TROOPER I Veículo todo terreno aberto (UBS) BIGHORN 2.6 i (UBS17) 10.1987/12.1991 85KW 116CV 2559CC 4ZE1 7115302			APOIO DE MOTOR ESQUERDO ISUZU TROOPER I Veículo todo terreno aberto (UBS) BIGHORN 2.3 (UBS16) 11.1985/12.1991 66KW 90CV 2254CC 4ZD1 7115300 - ISUZU TROOPER I Veículo todo terreno aberto (UBS) BIGHORN 2.6 i (UBS17) 10.1987/12.1991 85KW 116CV 2559CC 4ZE1 7115302	
	180x121x59mm	1p-d12-29mm		180x121x59mm	1p-d12-29mm
	A1762	NO. 8-94375-283-2		A1763	NO. 8-97104-157-1
	APOIO DE MOTOR ESQUERDO ISUZU TROOPER II (UB) BIGHORN 3.2 08.1991/07.1998 130KW 177CV 3165CC 6VD1 (SOHC) - ISUZU TROOPER II Veículo todo terreno aberto (UB) BIGHORN 3.2 08.1991/07.1998 130KW 177CV 3165CC 6VD1 (SOHC) ISUZU TROOPER III BIGHORN 3.5 V6 24V AWD 04.2000/08.2004 158KW 215CV 3494CC 6VE1			APOIO DE MOTOR DIREITO ISUZU TROOPER II (UB) BIGHORN 3.2 08.1991/07.1998 130KW 177CV 3165CC 6VD1 (SOHC) - ISUZU TROOPER II Veículo todo terreno aberto (UB) BIGHORN 3.2 08.1991/07.1998 130KW 177CV 3165CC 6VD1 (SOHC) ISUZU TROOPER III BIGHORN 3.5 V6 24V AWD 04.2000/08.2004 158KW 215CV 3494CC 6VE1	
	142x145x55mm	1p-d12x25mm		140x110x53mm	2p-d10x28mm
	A1768	NO. 8-94375-282-5		A1967	NO. 8-94482406-0
	APOIO DE MOTOR DIREITO ISUZU TROOPER II (UB) : 3.2 08.1991/07.1998 130KW 177CV 3165CC - ISUZU TROOPER II Veículo todo terreno aberto (UB) : 3.2 08.1991/07.1998 130KW 177CV 3165CC - ISUZU TROOPER III : 3.5 V6 24V AWD 04.2000/08.2004 158KW 215CV 3494CC			APOIO MOTOR ESQUERDO ISUZU TROOPER I Veículo todo terreno aberto (UBS) BIGHORN 2.3 (UBS16) 11.1985/12.1991 66KW 90CV 2254CC 4ZD1 7115300 - ISUZU TROOPER I Veículo todo terreno aberto (UBS) BIGHORN 2.6 i (UBS17) 10.1987/12.1991 85KW 116CV 2559CC 4ZE1 7115302	
	140x140x50mm	1p-d12x30mm		180x120x60mm	1p-d12x25mm 2f-15x12mm

	<p>A1968 NO. 8-94482405-0</p> <p>APOIO MOTOR DIREITO</p> <p>ISUZU TROOPER I Veículo todo terreno aberto (UBS) BIGHORN 2.3 (UBS16) 11.1985/12.1991 66KW 90CV 2254CC 4ZD1 7115300 - ISUZU TROOPER I Veículo todo terreno aberto (UBS) BIGHORN 2.6 i (UBS17) 10.1987/12.1991 85KW 116CV 2559CC 4ZE1 7115302</p> <p>180x120x60mm 1p-d12x25mm 2f-15x12mm</p>		<p>A2009 NO. 8-97916-331-0</p> <p>APOIO DE MOTOR ESQUERDO</p> <p>ISUZU TROOPER (4JG) 4WD 2800CC - ISUZU DRAGON POWER 4WD - ISUZU TROOPER (4JR) 4WD</p> <p>114x60x56x142x47mm 2f-15x11mm 2p-d10x25mm</p>
	<p>A2010 NO. 8-97039-189-3 - 8-97910-966-0 - 8-97916-330-0</p> <p>APOIO DE MOTOR DIREITO</p> <p>ISUZU TROOPER (4JG) 4WD 2800CC - ISUZU DRAGON POWER 4WD - ISUZU TROOPER (4JR) 4WD</p> <p>113x60x55x143x48mm 2f-15x11mm 2p-d10x25mm</p>		<p>A2019 NO. 8-94237-396-0</p> <p>APOIO BATEENTE BRAÇO DE SUSPENSÃO FRENTE SUPERIOR (GASTA 2 UNIDADES)</p> <p>ISUZU TROOPER, KBZ FSMTG - ISUZU KC-20KB - ISUZU LUV KBD 26</p> <p>d50x36x38mm 1p-d8x27mm</p>
	<p>A2488 NO. 0682175 - 682175 - 8-94375-289-2 - 8-97039-196-6 - 8-94375-288-1 - 91151857</p> <p>APOIO DA CAIXA DE VELOCIDADES</p> <p>ISUZU TROOPER II (UB): 3.2 08.1991/07.1998 130KW 177CV 3165CC - ISUZU TROOPER II Veículo todo terreno aberto (UB): 3.2 08.1991/07.1998 130KW 177CV 3165CC - ISUZU TROOPER III: 3.5 V6 24V AWD 04.2000/08.2004 158KW 215CV 3494CC - ISUZU TROOPER III: 3.0 DTI 05.1998/08.2004 117KW 159CV 2999CC - ISUZU TROOPER III Veículo todo terreno aberto: 3.5 V6 24V 04.2000/08.2004 158KW 215CV 3494CC</p> <p>163x116x64mm 2p-d10x24mm</p>		<p>E0271 NO. 8-97018228-2 - 8-97289-820-0 - 8-97018-125-1 - 8-97018-125-2 - 8-97018-227-2 - 8-97125-013-0 - 8-972...</p> <p>ESTICADOR BARRA ESTABILIZADORA FRENTE LADO DIREITO</p> <p>ISUZU TROOPER I (UBS) TROOPER/BIGHORN BIGHORN 2.2 D 4WD 05.1984/12.1989 39KW 53CV 2238CC C223 - ISUZU TROOPER I (UBS) TROOPER/BIGHORN BIGHORN 2.8 TD 10.1987/12.1991 74KW 101CV 2771CC 4JB1-T - ISUZU TROOPER I (UBS) TROOPER/BIGHORN BIGHORN 2.8 TD (UBS55) 10.1987/12.1991 71KW 97CV 2771CC 4JB1-T 7115303 - ISUZU TROOPER I (UBS) TROOPER/BIGHORN BIGHORN 2.8 TD (UBS55) 10.1988/12.1991 78KW...</p> <p>180x36x36mm 2p-d10x20mm</p>
	<p>E0272 NO. 8-97018227-2 - 8-97289-819-0</p> <p>ESTICADOR BARRA ESTABILIZADORA FRENTE ESQUERDO</p> <p>ISUZU TROOPER I (UBS) TROOPER/BIGHORN BIGHORN 2.2 D 4WD 05.1984/12.1989 39KW 53CV 2238CC C223 - ISUZU TROOPER I (UBS) TROOPER/BIGHORN BIGHORN 2.8 TD 10.1987/12.1991 74KW 101CV 2771CC 4JB1-T - ISUZU TROOPER I (UBS) TROOPER/BIGHORN BIGHORN 2.8 TD (UBS55) 10.1987/12.1991 71KW 97CV 2771CC 4JB1-T 7115303 - ISUZU TROOPER I (UBS) TROOPER/BIGHORN BIGHORN 2.8 TD (UBS55) 10.1988/12.1991 78KW...</p> <p>180x36x36mm 2p-d10x20mm</p>		<p>KF2327 NO. 94312678</p> <p>KIT DE FOLE TRANSMISSÃO</p> <p>ISUZU TROOPER I (UBS): 2.2 D 4WD 05.1984/12.1989 39KW 53CV 2238CC - ISUZU TROOPER I Veículo todo terreno aberto (UBS): 2.3 (UBS16) 11.1985/12.1991 66KW 90CV 2254CC - ISUZU TROOPER I Veículo todo terreno aberto (UBS): 2.6 i (UBS17) 10.1987/12.1991 85KW 116CV 2559CC - ISUZU TROOPER I Veículo todo terreno aberto (UBS): 2.2 D 4x4 05.1984/07.1989 39KW 53CV 2238CC - ISUZU TROOPER I Veículo todo terreno ...</p> <p>d86x84mm 1f-d76mm 1f-d22mm</p>
	<p>KM0404 NO. 8-94450-310-2K - 8-98005-814-0</p> <p>KIT BRINCOS DE MOLAS TRÁS PARTE DE TRAS (GASTA 2 UNIDADES)</p> <p>ISUZU TROOPER I (UBS): 2.2 D 4WD 05.1984/12.1989 39KW 53CV 2238CC - ISUZU TROOPER I (UBS): 2.8 TD (UBS55) 10.1987/12.1991 71KW 97CV 2771CC ISUZU TROOPER I (UBS): 2.8 TD (UBS55) 10.1988/12.1991 78KW 106CV 2771CC - ISUZU TROOPER I Veículo todo terreno aberto (UBS): 2.3 (UBS16) 11.1985/12.1991 66KW 90CV 2254CC - ISUZU TROOPER I Veículo todo terreno aberto (UBS): 2.6 i (UBS17) 10.1987/12.1991 85KW 116...</p> <p>132x90x40mm d30mm</p>		<p>KM0417 NO. 8-94223-167-2</p> <p>KIT BRINCOS DE MOLAS TRÁS PARTE DE TRAS (GASTA 2 UNIDADES)</p> <p>ISUZU TROOPER I (UBS) TROOPER/BIGHORN BIGHORN 2.8 TD 10.1987/12.1991 74KW 101CV 2771CC 4JB1-T - ISUZU TROOPER I (UBS) TROOPER/BIGHORN BIGHORN 2.8 TD (UBS55) 10.1987/12.1991 71KW 97CV 2771CC 4JB1-T 7115303 - ISUZU TROOPER I (UBS) TROOPER/BIGHORN BIGHORN 2.8 TD (UBS55) 10.1988/12.1991 78KW 106CV 2771CC 4JB1-TC 7115308 - ISUZU TROOPER I Veículo todo terreno aberto (UBS) BIGHORN 2.2 TD (...)</p> <p>128x95x41mm 2d-18mm 2p-d13.8-22mm</p>
	<p>KM0426 NO. 8-94438-834-0K</p> <p>KIT BRINCOS DE MOLAS TRÁS PARTE DA FRENTE (GASTA 2 UNIDADES)</p> <p>ISUZU TROOPER</p> <p>117x26x24mm d14mm 1p-d14-17mm</p>		<p>KUBT3002 NO. 8-94362-823-0 - 8-97035-258-0 - 8-97035-259-0 - 8-97035-265-0 - 8-97134718-0 - 8-97144-478-0 - 8-971...</p> <p>KIT BORRACHAS TRAVAO PINÇA TRAS AKE/AKEBONO 42MM</p> <p>ISUZU TROOPER II (UB): 3.2 08.1991/07.1998 130KW 177CV 3165CC - ISUZU TROOPER II Veículo todo terreno aberto (UB): 3.2 08.1991/07.1998 130KW 177CV 3165CC - ISUZU TROOPER III: 3.5 V6 24V AWD 04.2000/08.2004 158KW 215CV 3494CC - ISUZU TROOPER III: 3.0 DTI 05.1998/08.2004 117KW 159CV 2999CC - ISUZU TROOPER III Veículo todo terreno aberto: 3.5 V6 24V 04.2000/08.2004 158KW 215CV 3494CC - ISUZU TROOPER ...</p> <p>d52x8mm d49x3mm d52x27mm d20x28mm d11x10mm d9x8mm</p>
	<p>KUBT3003 NO. 8-97035-248-0 - 8-97035-249-0 - 8-97134716-0 - 8-97144-476-0 - 8-97144-477-0</p> <p>KIT BORRACHAS TRAVAO PINÇA FRENTE ATE/AKEBONO 60MM</p> <p>ISUZU TROOPER II (UB): 3.2 08.1991/07.1998 130KW 177CV 3165CC - ISUZU TROOPER II Veículo todo terreno aberto (UB): 3.2 08.1991/07.1998 130KW 177CV 3165CC - ISUZU TROOPER III: 3.5 V6 24V AWD 04.2000/08.2004 158KW 215CV 3494CC - ISUZU TROOPER III: 3.0 DTI 05.1998/08.2004 117KW 159CV 2999CC - ISUZU TROOPER III Veículo todo terreno aberto: 3.5 V6 24V 04.2000/08.2004 158KW 215CV 3494CC - ISUZU TROOPER ...</p> <p>d70x7mm d70x3mm d76x27mm d20x28mm d11x10mm d11x9mm</p>		<p>L1013 NO. 00432751 - 0432751 - 094234319 - 432751 - 5-51151-007-0 - 8-94234-190-0 - 8-94234-319-0 - 8-97332-642-0</p> <p>CASQUILHO DE MOLAS DE TRÁS PARTE DE TRÁS (8 UNIDADES)</p> <p>ISUZU TROOPER I (UBS): 2.2 D 4WD 05.1984/12.1989 39KW 53CV 2238CC - ISUZU TROOPER I (UBS): 2.8 TD (UBS55) 10.1987/12.1991 71KW 97CV 2771CC ISUZU TROOPER I (UBS): 2.8 TD (UBS55) 10.1988/12.1991 78KW 106CV 2771CC - ISUZU TROOPER I Veículo todo terreno aberto (UBS): 2.3 (UBS16) 11.1985/12.1991 66KW 90CV 2254CC - ISUZU TROOPER I Veículo todo terreno aberto (UBS): 2.6 i (UBS17) 10.1987/12.1991 85KW 116...</p> <p>d36x38mm d30mm 1f-d18mm</p>
	<p>L1042 NO. 894223-168-0</p> <p>CASQUILHO DE MOLAS DE TRÁS PARTE DA FRENTE (4 UNIDADES)</p> <p>ISUZU TROOPER I (UBS): 2.2 D 4WD 05.1984/12.1989 39KW 53CV 2238CC - ISUZU TROOPER I (UBS): 2.8 TD (UBS55) 10.1987/12.1991 71KW 97CV 2771CC ISUZU TROOPER I (UBS): 2.8 TD (UBS55) 10.1988/12.1991 78KW 106CV 2771CC - ISUZU TROOPER I Veículo todo terreno aberto (UBS): 2.3 (UBS16) 11.1985/12.1991 66KW 90CV 2254CC - ISUZU TROOPER I Veículo todo terreno aberto (UBS): 2.6 i (UBS17) 10.1987/12.1991 85KW 116...</p> <p>d45x35mm d40mm 1f-d18mm</p>		<p>L3109 NO. 8-94234-190-0 - 8-94234-319-0 - 8-97332-642-0 - 8-97357-492-0</p> <p>CASQUILHO DE MOLAS DE TRÁS PARTE DE TRÁS (8 UNIDADES)</p> <p>ISUZU TROOPER I (UBS): 2.2 D 4WD 05.1984/12.1989 39KW 53CV 2238CC - ISUZU TROOPER I (UBS): 2.8 TD (UBS55) 10.1987/12.1991 71KW 97CV 2771CC - ISUZU TROOPER I (UBS): 2.8 TD (UBS55) 10.1988/12.1991 78KW 106CV 2771CC - ISUZU TROOPER I Veículo todo terreno aberto (UBS): 2.3 (UBS16) 11.1985/12.1991 66KW 90CV 2254CC - ISUZU TROOPER I Veículo todo terreno aberto (UBS): 2.6 i (UBS17) 10.1987/12.1991 85KW 116...</p> <p>d36x36mm d30mm 1f-d18mm</p>

	<p>L3182 NO. 0444325 - 0444326 - 0444336 - 0444348 - 444335 - 444336 - 444348 - 6655341 - 8971400891 - 90343305 - ...</p> <p>CASQUILHO DA BARRA ESTABILIZADORA DE TRÁS</p> <p>ISUZU TROOPER</p>		<p>M6008 NO. 91137992</p> <p>JUNTA DE ESCAPE</p> <p>ISUZU TROOPER I (UBS): 2.8 TD (UBS55) 10.1987/12.1991 71KW 97CV 2771CC - ISUZU TROOPER I (UBS): 2.8 TD (UBS55) 10.1988/12.1991 78KW 106CV 2771CC - ISUZU TROOPER I Veículo todo terreno aberto (UBS): 2.2 TD (UBS52) 03.1984/12.1991 53KW 72CV 2238CC</p>
	<p>R227046 NO. 19504-RSR-600</p> <p>TUBO SUPERIOR DO RADIADOR</p> <p>ISUZU TROOPER I (UBS) 2.2 D 4WD 05.1984/12.1989 39KW 53CV 2238VV C223 - ISUZU TROOPER I Veículo todo terreno aberto (UBS) 2.2 D 4x4 05.1984/07.1989 39 KW 53CV 2238CC C223</p>		<p>RT08697 NO. 8-94113-583-0 - 8-94227-189-1 - 94113583</p> <p>TUBO DE TRAVÃO FRENTE LH - RH (GASTA 2 UNIDADES)</p> <p>ISUZU TROOPER I (UBS): 2.2 D 4WD 05.1984/12.1989 39KW 53CV 2238CC - ISUZU TROOPER I Veículo todo terreno aberto (UBS): 2.2 TD (UBS52) 03.1984/12.1991 53KW 72CV 2238CC</p>
	<p>S1011 NO. 9-51151-023-0 - 9-51151-023-1 - 9-51151-036-0</p> <p>SILENT-BLOC DE MOLAS DA FRENTE (GASTA 4 UNIDADES)</p> <p>ISUZU TROOPER I (UBS): 2.2 D 4WD 05.1984/12.1989 39KW 53CV 2238CC - ISUZU TROOPER I (UBS): 2.8 TD (UBS55) 10.1987/12.1991 71KW 97CV 2771CC - ISUZU TROOPER I (UBS): 2.8 TD (UBS55) 10.1988/12.1991 78KW 106CV 2771CC - ISUZU TROOPER I Veículo todo terreno aberto (UBS): 2.3 (UBS16) 11.1985/12.1991 66KW 90CV 2254CC - ISUZU TROOPER I Veículo todo terreno aberto (UBS): 2.6 i (UBS17) 10.1987/12.1991 85KW 1...</p>		<p>S1011-B NO. 9-51151-023-0 - 9-51151-023-1 - 9-51151-036-0</p> <p>SILENT-BLOC DE MOLAS DA FRENTE (GASTA 4 UNIDADES)</p> <p>ISUZU TROOPER I (UBS): 2.2 D 4WD 05.1984/12.1989 39KW 53CV 2238CC - ISUZU TROOPER I (UBS): 2.8 TD (UBS55) 10.1987/12.1991 71KW 97CV 2771CC - ISUZU TROOPER I (UBS): 2.8 TD (UBS55) 10.1988/12.1991 78KW 106CV 2771CC - ISUZU TROOPER I Veículo todo terreno aberto (UBS): 2.3 (UBS16) 11.1985/12.1991 66KW 90CV 2254CC - ISUZU TROOPER I Veículo todo terreno aberto (UBS): 2.6 i (UBS17) 10.1987/12.1991 85KW 1...</p>
	<p>S1028 NO. 8-94171-274-1 - 8-97332-642-0</p> <p>SILENT-BLOC DE MOLAS DE TRAS PARTE DA FRENTE (GASTA 2 UNIDADES)</p> <p>ISUZU TROOPER I (UBS): 2.2 D 4WD 05.1984/12.1989 39KW 53CV 2238CC - ISUZU TROOPER I (UBS): 2.8 TD (UBS55) 10.1987/12.1991 71KW 97CV 2771CC - ISUZU TROOPER I (UBS): 2.8 TD (UBS55) 10.1988/12.1991 78KW 106CV 2771CC - ISUZU TROOPER I Veículo todo terreno aberto (UBS): 2.3 (UBS16) 11.1985/12.1991 66KW 90CV 2254CC - ISUZU TROOPER I Veículo todo terreno aberto (UBS): 2.6 i (UBS17) 10.1987/12.1991 85KW 1...</p>		<p>S1028-A NO. 8-94171-274-1 - 8-97332-642-0</p> <p>SILENT-BLOC DE MOLAS DE TRAS PARTE DA FRENTE (GASTA 2 UNIDADES)</p> <p>ISUZU TROOPER I (UBS): 2.2 D 4WD 05.1984/12.1989 39KW 53CV 2238CC - ISUZU TROOPER I (UBS): 2.8 TD (UBS55) 10.1987/12.1991 71KW 97CV 2771CC - ISUZU TROOPER I (UBS): 2.8 TD (UBS55) 10.1988/12.1991 78KW 106CV 2771CC - ISUZU TROOPER I Veículo todo terreno aberto (UBS): 2.3 (UBS16) 11.1985/12.1991 66KW 90CV 2254CC - ISUZU TROOPER I Veículo todo terreno aberto (UBS): 2.6 i (UBS17) 10.1987/12.1991 85KW 1...</p>
	<p>S1028-B NO. 8-94171-274-1 - 8-97332-642-0</p> <p>SILENT-BLOC DE MOLAS DE TRAS PARTE DA FRENTE (GASTA 2 UNIDADES)</p> <p>ISUZU TROOPER I (UBS): 2.2 D 4WD 05.1984/12.1989 39KW 53CV 2238CC - ISUZU TROOPER I (UBS): 2.8 TD (UBS55) 10.1987/12.1991 71KW 97CV 2771CC - ISUZU TROOPER I (UBS): 2.8 TD (UBS55) 10.1988/12.1991 78KW 106CV 2771CC - ISUZU TROOPER I Veículo todo terreno aberto (UBS): 2.3 (UBS16) 11.1985/12.1991 66KW 90CV 2254CC - ISUZU TROOPER I Veículo todo terreno aberto (UBS): 2.6 i (UBS17) 10.1987/12.1991 85KW 1...</p>		<p>S1081 NO. 8-94226-557-0 - 8-94226-557-2</p> <p>SILENT-BLOC DE MOLAS DE TRAS PARTE DA FRENTE (GASTA 2 UNIDADES)</p> <p>ISUZU TROOPER I (UBS): 2.2 D 4WD 05.1984/12.1989 39KW 53CV 2238CC - ISUZU TROOPER I (UBS): 2.8 TD (UBS55) 10.1987/12.1991 71KW 97CV 2771CC - ISUZU TROOPER I (UBS): 2.8 TD (UBS55) 10.1988/12.1991 78KW 106CV 2771CC - ISUZU TROOPER I Veículo todo terreno aberto (UBS): 2.3 (UBS16) 11.1985/12.1991 66KW 90CV 2254CC - ISUZU TROOPER I Veículo todo terreno aberto (UBS): 2.6 i (UBS17) 10.1987/12.1991 85KW 1...</p>
	<p>S1081-B NO. 8-94226-557-0 - 8-94226-557-2</p> <p>SILENT-BLOCO BRAÇO SUSPENSÃO FRENTE SUPERIOR (GASTA 4 UNIDADES)</p> <p>ISUZU TROOPER I (UBS): 2.2 D 4WD 05.1984/12.1989 39KW 53CV 2238CC - ISUZU TROOPER I (UBS): 2.8 TD (UBS55) 10.1987/12.1991 71KW 97CV 2771CC - ISUZU TROOPER I (UBS): 2.8 TD (UBS55) 10.1988/12.1991 78KW 106CV 2771CC - ISUZU TROOPER I Veículo todo terreno aberto (UBS): 2.3 (UBS16) 11.1985/12.1991 66KW 90CV 2254CC - ISUZU TROOPER I Veículo todo terreno aberto (UBS): 2.6 i (UBS17) 10.1987/12.1991 85KW 1...</p>		<p>S1244 NO. 0310400 - 29041-40K00 - 8-94408-840-0 - 8-94408-840-1 - 8-94408-840-2 - 8-94408-840-3 - 8-94408-840-4 - ...</p> <p>SILENT-BLOC DO BRAÇO DA SUSPENSÃO FRENTE SUPERIOR (GASTA 4 UNIDADES)</p> <p>ISUZU TROOPER I (UBS): 2.2 D 4WD 05.1984/12.1989 39KW 53CV 2238CC - ISUZU TROOPER I (UBS): 2.8 TD (UBS55) 10.1987/12.1991 71KW 97CV 2771CC - ISUZU TROOPER I (UBS): 2.8 TD (UBS55) 10.1988/12.1991 78KW 106CV 2771CC - ISUZU TROOPER I Veículo todo terreno aberto (UBS): 2.3 (UBS16) 11.1985/12.1991 66KW 90CV 2254CC - ISUZU TROOPER I Veículo todo terreno aberto (UBS): 2.6 i (UBS17) 10.1987/12.1991 85KW 1...</p>
	<p>S1316 NO. 0310402 - 0352456 - 29040-50K00 - 29043-70K00 - 45503-87706 - 8-94408-842-0 - 8-97018-165-1 - 8-9701-...</p> <p>SILENT-BLOC DO BRAÇO DA SUSPENSÃO INFERIOR (GASTA 2 UNIDADES)</p> <p>ISUZU TROOPER I (UBS): 2.2 D 4WD 05.1984/12.1989 39KW 53CV 2238CC - ISUZU TROOPER I (UBS): 2.8 TD (UBS55) 10.1987/12.1991 71KW 97CV 2771CC - ISUZU TROOPER I (UBS): 2.8 TD (UBS55) 10.1988/12.1991 78KW 106CV 2771CC - ISUZU TROOPER I Veículo todo terreno aberto (UBS): 2.3 (UBS16) 11.1985/12.1991 66KW 90CV 2254CC - ISUZU TROOPER I Veículo todo terreno aberto (UBS): 2.6 i (UBS17) 10.1987/12.1991 85KW 1...</p>		<p>S1317 NO. 352455 - 8-94408-841-1 - 94408841</p> <p>SILENT-BLOC DO BRAÇO DA SUSPENSÃO INFERIOR (GASTA 2 UNIDADES)</p> <p>ISUZU TROOPER I (UBS): 2.2 D 4WD 05.1984/12.1989 39KW 53CV 2238CC - ISUZU TROOPER I (UBS): 2.8 TD (UBS55) 10.1987/12.1991 71KW 97CV 2771CC - ISUZU TROOPER I (UBS): 2.8 TD (UBS55) 10.1988/12.1991 78KW 106CV 2771CC - ISUZU TROOPER I Veículo todo terreno aberto (UBS): 2.3 (UBS16) 11.1985/12.1991 66KW 90CV 2254CC - ISUZU TROOPER I Veículo todo terreno aberto (UBS): 2.6 i (UBS17) 10.1987/12.1991 85KW 1...</p>
	<p>S1482 NO. 8-94374-443-0 - 8-94375-105-0 - 8-97021-0550 - 8-97134-705-0 - 91153044 - 97021055</p> <p>SILENT-BLOC DO ESTICADOR SUSPENSÃO TRAS (GASTA 4 UNIDADES)</p> <p>ISUZU TROOPER II (UBS): 3.2 08.1991/07.1998 130KW 177CV 3165CC - ISUZU TROOPER II (UBS): 3.2 08.1991/07.1998 130KW 177CV 3165CC - ISUZU TROOPER II Veículo todo terreno aberto (UBS): 3.2 08.1991/07.1998 130KW 177CV 3165CC - ISUZU TROOPER II Veículo todo terreno aberto (UBS): 3.2 08.1991/07.1998 130KW 177CV 3165CC - ISUZU TROOPER III: 3.5 V6 24V AWD 04.2000/08.2004 158KW 215CV 3494CC - ISUZU TROOPER III...</p>		<p>S1483 NO. 0302944 - 2904340-K00 - 302293 - 302944 - 8-97018-165-0 - 8-97138-389-1 - 8-97364-176-0 - 8-97366-49-...</p> <p>SILENT-BLOC DO BRAÇO DA SUSPENSÃO INFERIOR (GASTA 2 UNIDADES)</p> <p>ISUZU TROOPER I (UBS): 2.2 D 4WD 05.1984/12.1989 39KW 53CV 2238CC - ISUZU TROOPER I (UBS): 2.2 D 4WD 05.1984/12.1989 39KW 53CV 2238CC - ISUZU TROOPER I (UBS): 2.8 TD (UBS55) 10.1987/12.1991 71KW 97CV 2771CC - ISUZU TROOPER I (UBS): 2.8 TD (UBS55) 10.1988/12.1991 78KW 106CV 2771CC - ISUZU TROOPER I Veículo todo terreno aberto (UBS): 2.3 (UBS16) 11.1985/12.1991 66KW 90CV 2254CC - ISUZU TROOPER I Veículo todo terreno aberto (UBS): 2.6 i (UBS17) 10.1987/12.1991 85KW 1...</p>

	<p>S1484 NO. 0310400 - 29041-40K00 - 8-94408-840-0 - 8-94408-840-2 - 8-94408-840-3 - 8-97104-178-0 - 8-97220-077...</p> <p>SILENT-BLOC DO BRAÇO DA SUSPENSÃO SUPERIOR (GASTA 4 UNIDADES)</p> <p>ISUZU TROOPER I (UBS): 2.2 D 4WD 05.1984/12.1989 39KW 53CV 2238CC - ISUZU TROOPER I (UBS): 2.8 TD (UBS55) 10.1987/12.1991 71KW 97CV 2771CC - ISUZU TROOPER I (UBS): 2.8 TD (UBS55) 10.1988/12.1991 78KW 106CV 2771CC - ISUZU TROOPER I Veículo todo terreno aberto (UBS): 2.3 (UBS16) 11.1985/12.1991 66KW 90CV 2254CC - ISUZU TROOPER I Veículo todo terreno aberto (UBS): 2.6 i (UBS17) 10.1987/12.1991 85KW 1...</p> <p>d49.5x45mm c35mm d38mm 1f-d18.4mm</p>		<p>S1697 NO. 29041-40K00 - 8-94408-840-0 - 8-94408-840-2 - 8-94408-840-3 - 8-97104-178-0 - 8-97220-077-0 - 897366...</p> <p>SILENT-BLOC DO BRAÇO DA SUSPENSÃO SUPERIOR (GASTA 4 UNIDADES)</p> <p>ISUZU TROOPER I (UBS) 2.2 D 4WD (De 05-1984 Até 12-1989) 39KW 53CV 2238cc Veículo todo-terreno fechado ISUZU TROOPER I (UBS) 2.8 TD (UBS55) (De 10-1987 Até 12-1991) 71KW 97CV 2771cc Veículo todo-terreno fechado ISUZU TROOPER I (UBS) 2.8 TD (UBS55) (De 10-1988 Até 12-1991) 78KW 106CV 2771cc Veículo todo-terreno fechado ISUZU TROOPER I Veículo todo terreno aberto (UBS) 2.3 (UBS16) (De 11-1985 ...</p> <p>d49x45mm d38mm c32mm 1f-d18mm</p>
	<p>S1699 NO. 8-97018-165-0 - 8-97138-389-1 - 8-97364-176-0 - 8-97366-491-0 - 8-98005-834-0 - 8-98005-835-0</p> <p>SILENT-BLOC DO BRAÇO DA SUSPENSÃO INFERIOR (GASTA 2 UNIDADES)</p> <p>ISUZU TROOPER I (UBS): 2.2 D 4WD 05.1984/12.1989 39KW 53CV 2238CC - ISUZU TROOPER I (UBS): 2.2 D 4WD 05.1984/12.1989 39KW 53CV 2238CC - ISUZU TROOPER I (UBS): 2.8 TD (UBS55) 10.1987/12.1991 71KW 97CV 2771CC - ISUZU TROOPER I (UBS): 2.8 TD (UBS55) 10.1988/12.1991 71KW 97CV 2771CC - ISUZU TROOPER I (UBS): 2.8 TD (UBS55) 10.1987/12.1991 71KW 97CV 2771CC - ISUZU TROOPER I (UBS): 2.8 TD (UBS55) 10.1988/12.1991 78KW 106CV 2771CC - ISUZU TROOPER I (UBS): 2.8 TD (UBS55) 10.198...</p> <p>d42x57mm d36mm c41mm 1f-d16mm</p>		<p>S1974 NO. 8-94375-106-0</p> <p>SILENT-BLOC BRAÇO SUSPENSÃO BARRA PANHARD TRÁS</p> <p>ISUZU TROOPER II (UB) 3.2 (De 08.1991 Até 07.1998) 130kW 177cv 3165cm3 Veículo todo-terreno fechado - ISUZU TROOPER II Veículo todo terreno aberto (UB) 3.2 (De 08.1991 Até 07.1998) 130kW 177cv 3165cm3 Veículo todo terreno aberto -</p> <p>d39x56mm c38mm 1f-d14mm</p>
	<p>S1974 NO. 8-94375-106-0</p> <p>SILENT-BLOC BRAÇO SUSPENSÃO BARRA PANHARD TRÁS</p> <p>ISUZU TROOPER III 3.0 DTI (De 05.1998 Até 08.2004) 117kW 159cv 2999cm3 Veículo todo-terreno fechado - ISUZU TROOPER III 3.0 Tdi (De 10.2000 Até 06.2002) 117kW 160cv 2999cm3 Veículo todo-terreno fechado - ISUZU TROOPER III 3.5 V6 24V AWD (De 04.2000 Até 08.2004) 158kW 215cv 3494cm3 Veículo todo-terreno fechado - ISUZU TROOPER III Veículo todo terreno aberto 3.0 DTI (De 04.2000 Até 08.2004) 118kW 16...</p> <p>d39x56mm c38mm 1f-d14mm</p>		<p>S2098 NO. 8-97947-171-0</p> <p>SILENT-BLOC DAS MOLAS DAS LAMINAS DE TRÁS PARTE DA FRENTE</p> <p>ISUZU TROOPER I (UBS) TROOPER/BIGHORN BIGHORN 2.2 D 4WD 05.1984/12.1989 39KW 53CV 2238CC C223 - ISUZU TROOPER I (UBS) TROOPER/BIGHORN BIGHORN 2.8 TD (UBS55) 10.1987/12.1991 71KW 97CV 2771CC 4JB1-T 7115303 - ISUZU TROOPER I (UBS) TROOPER/BIGHORN BIGHORN 2.8 TD (UBS55) 10.1988/12.1991 78KW 106CV 2771CC 4JB1-TC 7115308 - ISUZU TROOPER I Veículo todo terreno aberto (UBS) BIGHORN 2.2 TD (...</p> <p>d40x73mm c60mm 1f-d14mm</p>
	<p>T1224 NO. 8-97048-318-0 - 8-97148-528-0 - 8-97162-970-0</p> <p>BATENTE DA BARRA ESTABILIZADORA DE TRÁS</p> <p>ISUZU TROOPER II (UB): 3.2 08.1991/07.1998 130kW 177CV 3165CC - ISUZU TROOPER II Veículo todo terreno aberto (UB): 3.2 08.1991/07.1998 130kW 177CV 3165CC - ISUZU TROOPER III: 3.5 V6 24V AWD 04.2000/08.2004 158KW 215CV 3494CC - ISUZU TROOPER III: 3.0 DTI 05.1998/08.2004 117KW 159CV 2999CC - ISUZU TROOPER III Veículo todo terreno aberto: 3.5 V6 24V 04.2000/08.2004 158KW 215CV 3494CC - ISUZU TROOPER...</p> <p>42x43x42mm 1f-d17mm</p>		<p>UTR0602 NO. 8-94116916-1 - 8-94153251-1 - 8-94408139-1 - 8941326970 - 8941532510 - 894408139 - 8944180710 - 8971...</p> <p>TAMPÃO RADIADOR</p> <p>ISUZU TROOPER I Veículo todo terreno aberto (UBS) 2.3 (UBS16) (De 1985.11 Até 1991.12) 66kW 90cv 2254cm3 Veículo todo terreno aberto -</p> <p>d53/45x24mm d27x20mm</p>
	<p>UTR0957 NO. 8-94116916-0 - 8-94116916-1 - 8-97104194-0 - 8-9711436-0 - 8-97209559-0 - 8971200730</p> <p>TAMPÃO DO RADIADOR</p> <p>ISUZU TROOPER II (UB) 3.2 (De 08.1991 Até 07.1998) 130kW 177cv 3165cm3 Veículo todo-terreno fechado - ISUZU TROOPER II Veículo todo terreno aberto (UB) 3.2 (De 08.1991 Até 07.1998) 130kW 177cv 3165cm3 Veículo todo terreno aberto -</p> <p>d45x25mm d28x22mm</p>		<p>UTR0957 NO. 8-94116916-0 - 8-94116916-1 - 8-97104194-0 - 8-9711436-0 - 8-97209559-0 - 8971200730</p> <p>TAMPÃO DO RADIADOR</p> <p>ISUZU TROOPER III 3.0 DTI (De 05.1998 Até 08.2004) 117kW 159cv 2999cm3 Veículo todo-terreno fechado - ISUZU TROOPER III 3.5 V6 24V AWD (De 04.2000 Até 08.2004) 158kW 215cv 3494cm3 Veículo todo-terreno fechado - ISUZU TROOPER III Veículo todo terreno aberto 3.0 DTI (De 04.2000 Até 08.2004) 118kW 160cv 2999cm3 Veículo todo terreno aberto - ISUZU TROOPER III Veículo todo terreno aberto 3.5 V6 24V (De...</p> <p>d45x25mm d28x22mm</p>
	<p>UTR0958 NO. 8941169161 - 8971041940 - 8971714360 - 8972095590 - 8972391870 - 8941169160 - 8971200730</p> <p>TAMPÃO RADIADOR</p> <p>ISUZU TROOPER II (UB) 3.2 (De 08.1991 Até 07.1998) 130kW 177cv 3165cm3 Veículo todo-terreno fechado - ISUZU TROOPER II Veículo todo terreno aberto (UB) 3.2 (De 08.1991 Até 07.1998) 130kW 177cv 3165cm3 Veículo todo terreno aberto -</p> <p>d45x29mm d28x21mm</p>		<p>UTR0958 NO. 8941169161 - 8971041940 - 8971714360 - 8972095590 - 8972391870 - 8941169160 - 8971200730</p> <p>TAMPÃO RADIADOR</p> <p>ISUZU TROOPER III 3.0 DTI (De 05.1998 Até 08.2004) 117kW 159cv 2999cm3 Veículo todo-terreno fechado - ISUZU TROOPER III 3.5 V6 24V AWD (De 04.2000 Até 08.2004) 158kW 215cv 3494cm3 Veículo todo-terreno fechado - ISUZU TROOPER III Veículo todo terreno aberto 3.0 DTI (De 04.2000 Até 08.2004) 118kW 160cv 2999cm3 Veículo todo terreno aberto - ISUZU TROOPER III Veículo todo terreno aberto 3.5 V6 24V (De...</p> <p>d45x29mm d28x21mm</p>